



# Manual SRM Series

## Manual Pull-Down Projection Screen

### USER'S GUIDE

#### Pre-Installation

1. Carefully unpack the screen.
2. Always handle the screen in a leveled position on a clean surface.

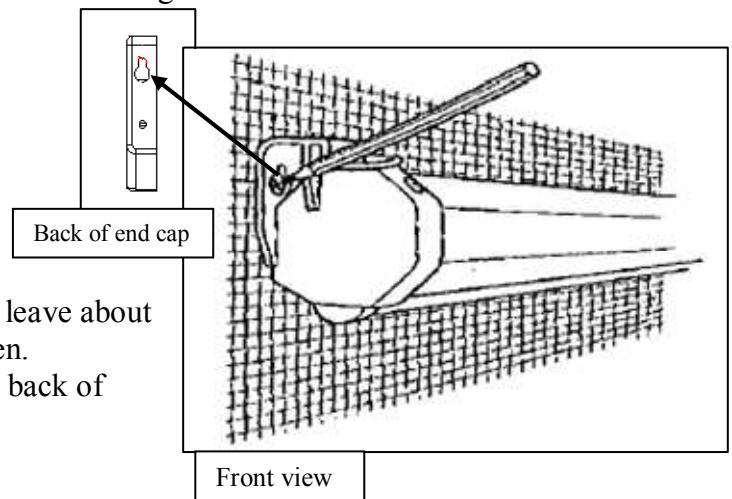
#### NOTE:

Regardless of mounting method, the screen should be securely supported so that vibration or even abusive pulling on the viewing surface will not cause the case to work loose or fall. The installer must insure that the fasteners used are of adequate strength and suitable for the mounting surface chosen.

#### INSTALLATION

##### Flush Wall Mounting

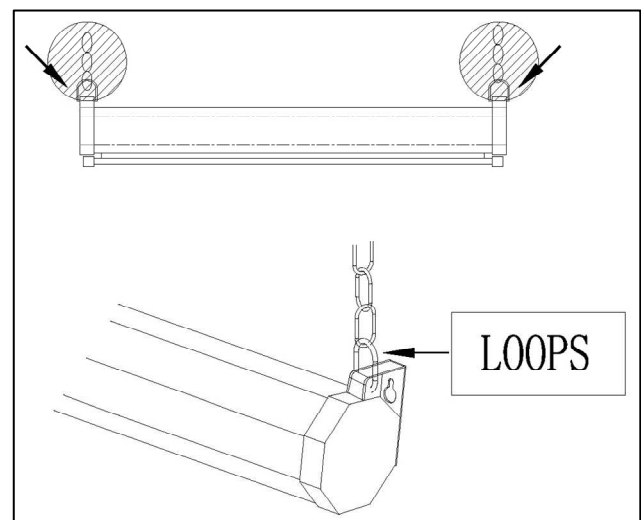
1. Mark the location of where the screen is to be installed for the pre-drilled hole.
2. After marking the area and drilling the hole, insert the proper screw into the drilled hole and leave about 1/8" of an inch from the wall to mount the screen.
3. Mount your screen from the keyhole located on back of screen's left and right end cap.



##### Ceiling Mounting (additional hardware required)

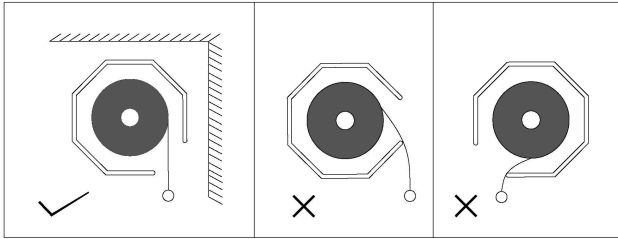
Optional installation using a chain to hang the screen from the ceiling.

1. You can also hang the screen on a ceiling by using a chain (not included) and hang it by the two loops located on each end of the case.



## SCREEN OPERATION

*Note: **Always** pull the screen down or let it up in a 90-degree vertical angle. Do not allow the screen to touch the screen case when the screen goes up or comes down to avoid damaging the screen material.*



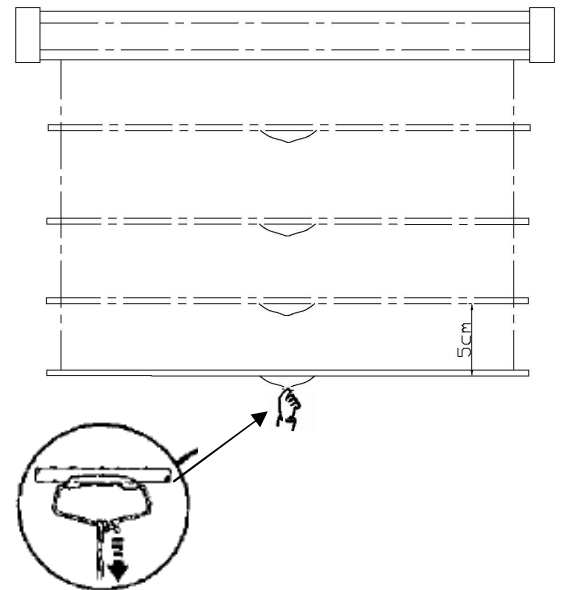
1. Pull the screen down from the lanyard or from the handle only in a 90-degree angle. Do not attempt to pull the screen down by the surface or touch the screen, as it will damage the screen and void the warranty.

*Note: An internal auto-lock mechanism system will cause the screen to stop and lock on the position at intervals.*

2. If you want the screen to retract back, simply pull the screen down more than 2 inches and retract the screen back by quickly and smoothly releasing it up gently. The screen is equipped with a **SLOW RETRACT MECHANISM (SRM)** which allows the screen to slowly retract without the need to hold on to the handle or lanyard. Simply release the handle and the screen will retract by itself.

**Note: Always release at a 90-degree angle and do not let go until the screen is entirely inside the case**

**If ever the screen feels stuck, keep in mind that the screen's mechanism is new and needs to be run up/down a few times to loosen up. If this happens, carefully with a little force yank the screen straight down to unlock the screen.**



*Note: Improperly bringing the screen up/down will damage the screen material or rolling system.*

**RETRACTION TIP:** If you are not able to pull the screen down two inches when attempting to retract it, give the screen a quick yank downwards with a little bit of force. Please be sure to not stand directly under the housing of the unit when yanking down on the screen.

## MAINTENANCE

Clean matte white screen material with a soft cloth and mild soap with water.

When not in use, retract screen in its housing to keep the screen material surface clean.

For more information, technical support or your local  
Elite Screens contact, please visit

[www.elitescreens.com](http://www.elitescreens.com)