

Monitor Mount with Articulating Arm and Laptop Riser

ARMUNONB



*actual product may vary from photos

FR: Guide de l'utilisateur - fr.startech.com

DE: Bedienungsanleitung - de.startech.com

ES: Guía del usuario - es.startech.com

NL: Gebruiksaanwijzing - nl.startech.com

PT: Guia do usuário - pt.startech.com

IT: Guida per l'uso - it.startech.com

For the latest information, technical specifications, and support for this product, please visit www.StarTech.com/ARMUNONB.

Use of Trademarks, Registered Trademarks, and other Protected Names and Symbols

This manual may make reference to trademarks, registered trademarks, and other protected names and/or symbols of third-party companies not related in any way to StarTech.com. Where they occur these references are for illustrative purposes only and do not represent an endorsement of a product or service by StarTech.com, or an endorsement of the product(s) to which this manual applies by the third-party company in question. Regardless of any direct acknowledgement elsewhere in the body of this document, StarTech.com hereby acknowledges that all trademarks, registered trademarks, service marks, and other protected names and/or symbols contained in this manual and related documents are the property of their respective holders.

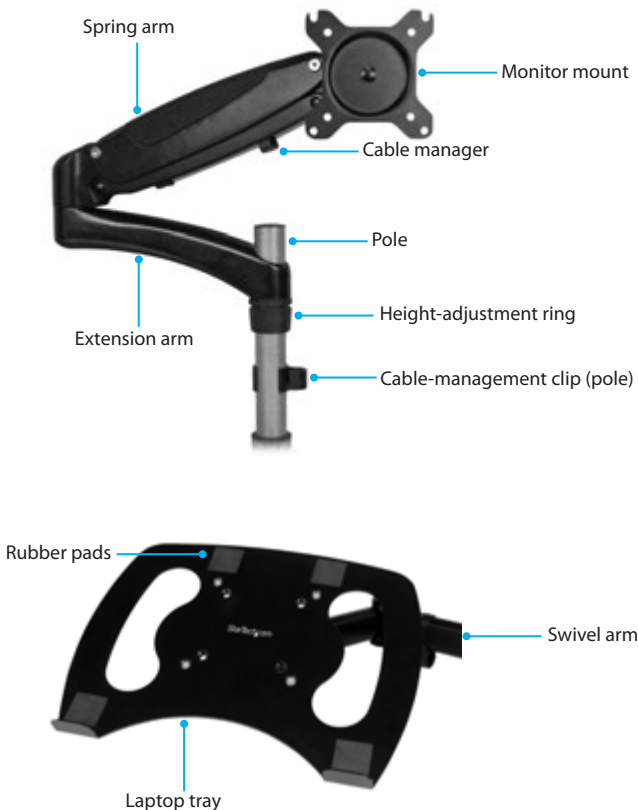
Table of Contents

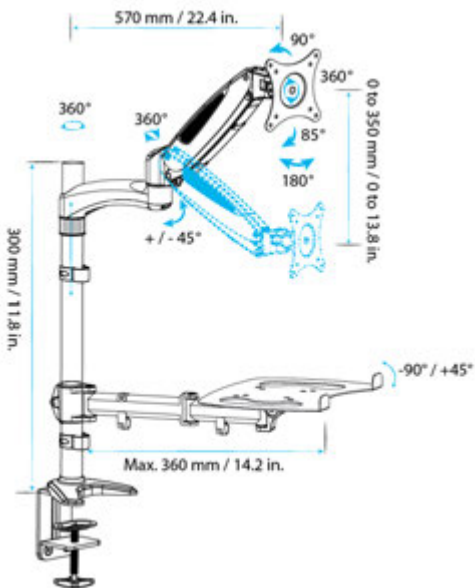
Introduction	1
Product diagram.....	1
Technical specifications	3
Package contents	4
Installation requirements.....	5
Assembly	6
Warning statements.....	6
Attach the clamp to a desk or table	6
Attach the laptop tray to the swivel arm.....	7
Attach the swivel arm to the pole and clamp.....	8
Attach the extension arm.....	10
Attach a display to the spring arm.....	11
Attach the spring arm to the extension arm.....	12
Adjust the height tension of the spring arm.....	13
Adjust the swivel tension of the display mount	14
Route the cables.....	15
Technical support	16
Warranty information	16

Introduction







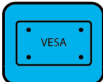
The ARMUNONB offers a convenient and easy way to raise your laptop and monitor off of your desk. The ARMUNONB is straightforward to put together and the sturdy design provides a safe way to mount your monitor and laptop.

Product diagram





Technical specifications

Type of measurement	Measurement
Display size 	Between 15 and 27 in. (381 mm and 686 mm)
Monitor mount weight capacity 	Up to 17.6 lb. (8 kg)
Laptop tray weight capacity 	Up to 17.6 lb. (8 kg)
Tilt 	$-90^{\circ} / +85^{\circ}$
Swivel 	180 $^{\circ}$
Rotate 	360 $^{\circ}$
VESA monitor mount 	75 by 75 mm hole pattern 100 by 100 mm hole pattern

Package contents

1



Swivel arm
Qty: One

2



Extension arm
Qty: One

3



Laptop tray
Qty: One

4



Spring arm
Qty: One

5



Pole and clamp
Qty: One

6



M4x12 screws
Qty: Four

7



M4x30 screws
Qty: Four

8



M5x12 screws
Qty: Four

9



M6x25 screw
Qty: One

10



Cable-management clip
(pole)
Qty: One

11



M3 Allen key
Qty: One

12



M5 Allen key
Qty: One

13



M5 nuts
Qty: Four

14



Height-adjustment ring
(ships installed on the
pole and clamp)
Qty: One

15



Spacers
Qty: Four

16



Cable-management clip
(laptop arm)

Qty: Two

17



Rubber pads

Qty: Four

18



Plastic cap

Qty: One

19



Instruction manual

Qty: One

Installation requirements

- Phillips screwdriver
- Adjustable wrench

Installation requirements are subject to change. For the latest requirements, please visit www.StarTech.com/ARMUNONB.

Assembly

Warning statements

Make sure to assemble the ARMUNONB according to the following instructions. Failure to do so may result in personal injury or property damage.

If you exceed the weight capacity of the monitor mount or the laptop tray, the ARMUNONB may not work as expected and you could experience personal injury or property damage.

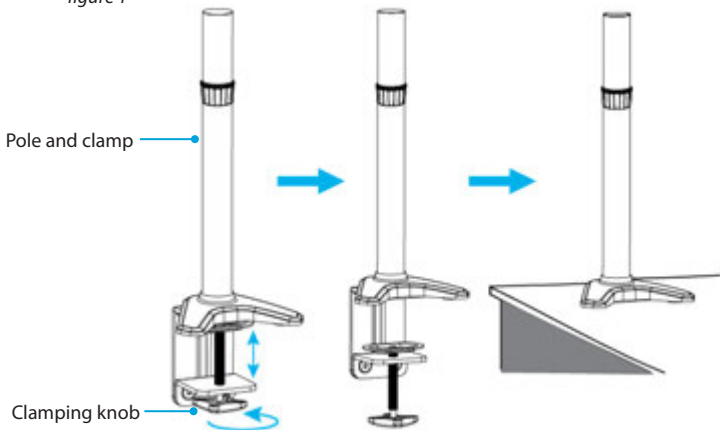
Never operate the ARMUNONB if parts are missing or damaged.

Attach the clamp to a desk or table

Note: The desk clamp can be attached to a desk or table up to a thickness of 9 cm (90 mm).

1. Turn the clamping knob on the pole and clamp (5) counterclockwise until the clamp can slide over the edge of the desk or table.
2. Slide the pole and clamp all the way onto the desk or table.
3. To tighten the clamp, turn the clamping knob clockwise until the clamp is securely fastened to the desk. (*figure 1*)

figure 1



Attach the laptop tray to the swivel arm

1. Insert the four M5x12 screws (8) through the laptop tray (3) and into the four holes in the VESA mount on the swivel arm (1).
2. Thread the four M5 nuts (13) onto the M5x12 screws. (figure 2)
3. Use a wrench to tighten the M5 nuts.
4. Remove the backing from the four rubber pads (17) and affix them to the laptop tray where appropriate to prevent the laptop from slipping. (figure 3)

figure 2

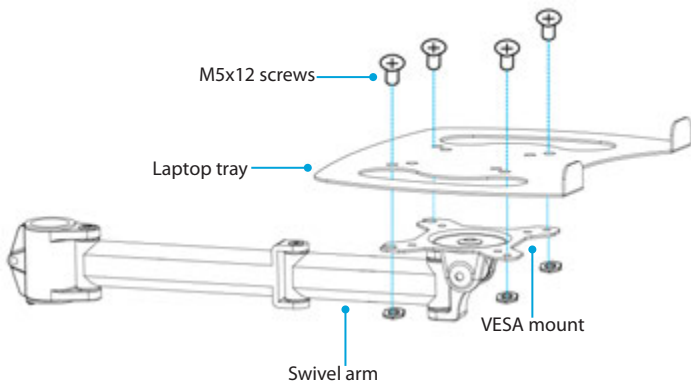
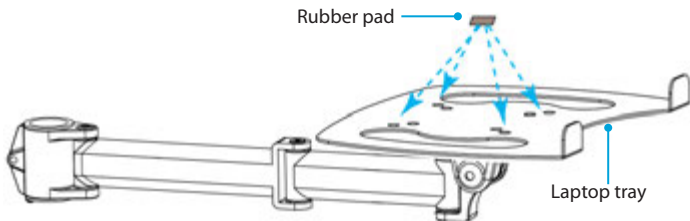


figure 3



Attach the swivel arm to the pole and clamp

1. Turn the adjustable collar on the height-adjustment ring (14) counterclockwise and pull the height-adjustment ring off of the pole and clamp (5). (figure 4)
2. Slide the swivel arm (1) down the pole and clamp. (figure 5)
3. When the swivel arm is at the desired height, use the M5 Allen key (11) to turn the screw in the swivel arm clockwise to tighten it in place. (figure 6)

figure 4

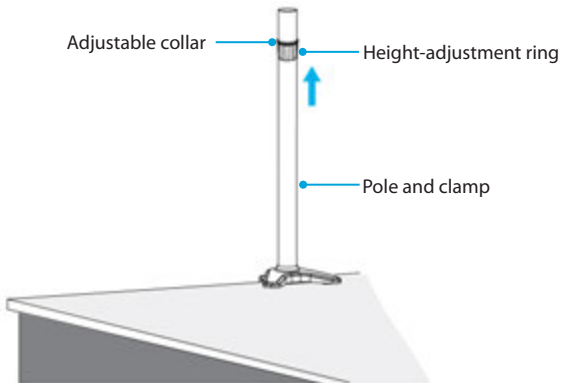


figure 5

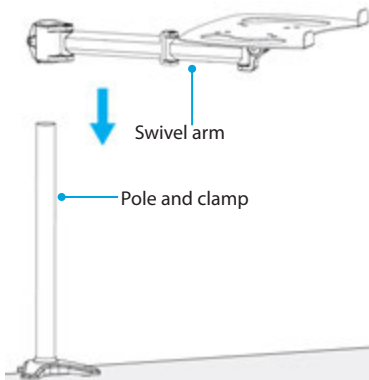
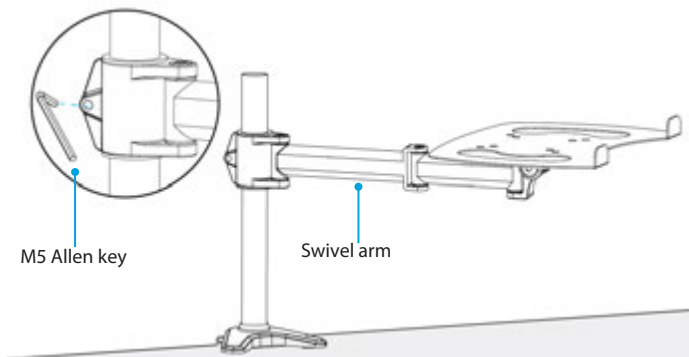


figure 6



Attach the extension arm

1. Slide the height-adjustment ring (14) down the pole and clamp (5) until it's at the height that you want the extension arm to sit at.
2. Turn the adjustable collar on the height-adjustment ring clockwise to tighten it in place.
3. Slide the extension arm (2) down the pole until it's sitting on the height-adjustment ring. (*figure 7*)
4. To change the swivel tension of the extension arm, use the M3 Allen key (11) to turn the screws in the extension arm clockwise or counterclockwise. (*figure 8*)

figure 7

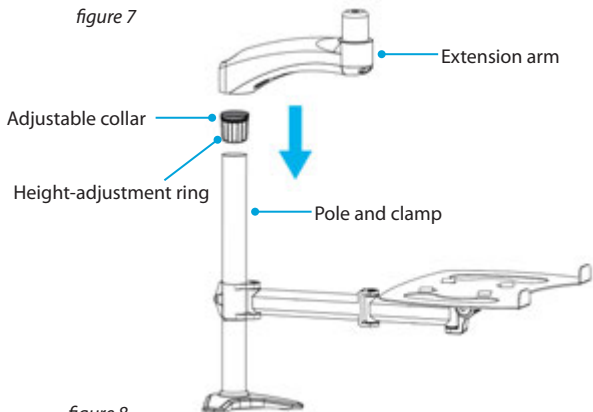
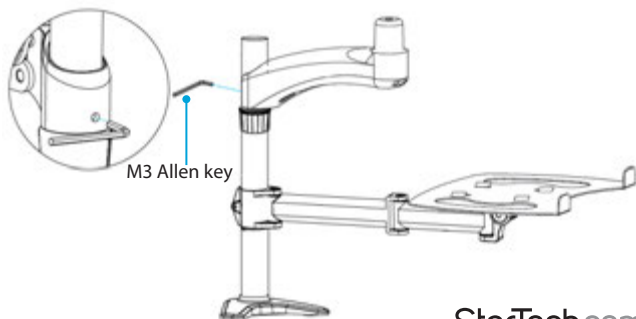


figure 8



Attach a display to the spring arm

Caution! To prevent scratching, you should handle the surface of the display with care when you attach it to the spring arm.

If you exceed the weight capacity of the mount, the ARMUNONB may not work as expected and you could experience personal injury or property damage.

1. Do one of the following:

- If the VESA mount sits flush against the installation surface on the display, insert the four M4x12 screws (6) through the VESA mount on the spring arm (4) and into the mounting holes on the back of the display. Use a Phillips screwdriver to tighten the screws. (figure 9)
- If the VESA mount doesn't sit flush against the installation surface on the display, you need to use the provided spacers. Insert the four M4x30 screws (7) through the VESA mount on the spring arm (4), into the four spacers (15), and into the mounting holes on the back of the display. Use a Phillips screwdriver to tighten the screws. (figure 10)

figure 9

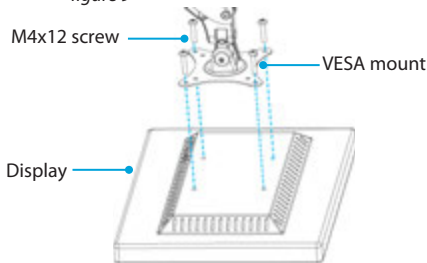
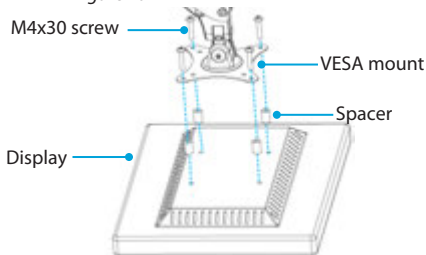


figure 10



Attach the spring arm to the extension arm

1. Carefully lift the spring arm (4) with the display attached and place it onto the extension arm (2). (figure 11)
2. Insert the M6x25 screw (9) through the extension arm, the spring arm, and into the plastic cap (18). (figure 12)
3. Use a screwdriver to tighten the M6x25 screw.

figure 11

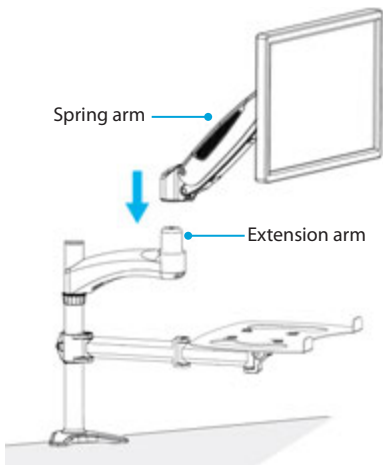
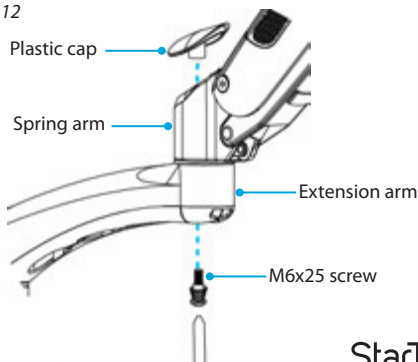


figure 12



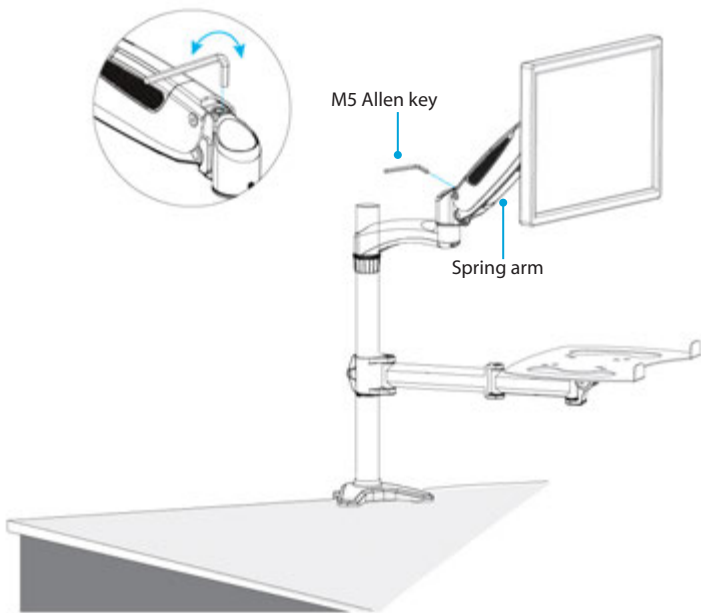
Adjust the height tension of the spring arm

You can adjust the height tension of the spring arm to make sure that the display stays in place, regardless of the weight of the display.

1. If the display doesn't stay in place or the movement is stiff, do one of the following:

- To increase the tension, use the M5 Allen key (12) to turn the screw in the spring arm (4) clockwise. (figure 13)
- To decrease the tension, use the M5 Allen key (12) to turn the screw in the spring arm (4) counterclockwise. (figure 13)

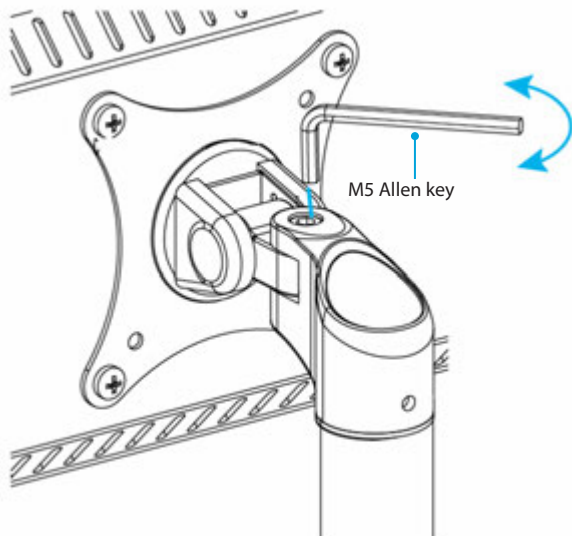
figure 13



Adjust the swivel tension of the display mount

- To change the swivel tension of the display mount, use the M5 Allen key (12) to turn the screw on the top of the VESA mount clockwise or counterclockwise. (figure 14)

figure 14



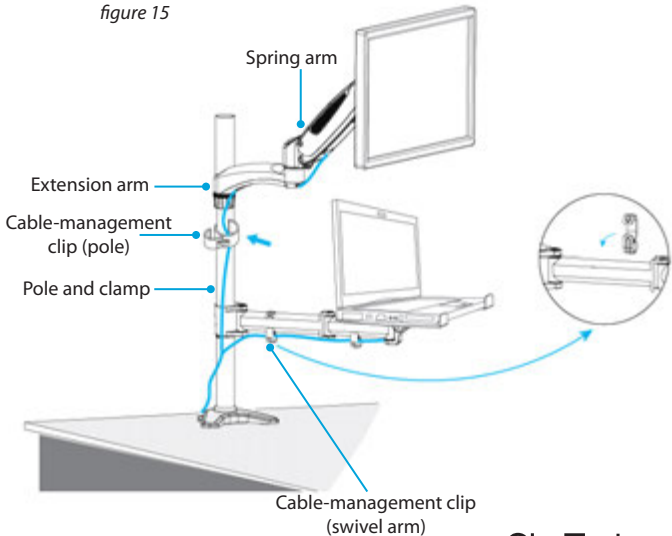
Route the cables

Warning! Make sure that you leave enough slack at the arm joints so that the arms can be fully extended.

Make sure that the cables that you're routing are unplugged before you complete the following steps.

1. Pull out the cable rungs on the spring arm (4) and thread the display cable through the rungs.
2. Thread the display cable through the cavity in the underside of the extension arm (2).
3. Hold the display cable against the pole and clamp (5) while you slide the cable-management clip (pole) (10) over the cable and onto the pole.
4. Snap the cable-management clip (laptop arm) (16) onto the swivel arm (1).
5. Run the laptop power cable along the swivel arm and through the hook in the cable-management clip (laptop arm).
6. To adjust the placement of cable-management clip (laptop arm) on the swivel arm, slide the cable-management clip left or right. (*figure 15*)

figure 15



Technical support

StarTech.com's lifetime technical support is an integral part of our commitment to provide industry-leading solutions. If you ever need help with your product, visit www.startech.com/support and access our comprehensive selection of online tools, documentation, and downloads.

For the latest drivers/software, please visit www.startech.com/downloads

Warranty information

This product is backed by a two-year warranty.

StarTech.com warrants its products against defects in materials and workmanship for the periods noted, following the initial date of purchase. During this period, the products may be returned for repair, or replacement with equivalent products at our discretion. The warranty covers parts and labor costs only. StarTech.com does not warrant its products from defects or damages arising from misuse, abuse, alteration, or normal wear and tear.

Limitation of Liability

In no event shall the liability of StarTech.com Ltd. and StarTech.com USA LLP (or their officers, directors, employees or agents) for any damages (whether direct or indirect, special, punitive, incidental, consequential, or otherwise), loss of profits, loss of business, or any pecuniary loss, arising out of or related to the use of the product exceed the actual price paid for the product. Some states do not allow the exclusion or limitation of incidental or consequential damages. If such laws apply, the limitations or exclusions contained in this statement may not apply to you.

Hard-to-find made easy. At StarTech.com, that isn't a slogan. It's a promise.

StarTech.com is your one-stop source for every connectivity part you need. From the latest technology to legacy products — and all the parts that bridge the old and new — we can help you find the parts that connect your solutions.

We make it easy to locate the parts, and we quickly deliver them wherever they need to go. Just talk to one of our tech advisors or visit our website. You'll be connected to the products you need in no time.

Visit www.startech.com for complete information on all StarTech.com products and to access exclusive resources and time-saving tools.

StarTech.com is an ISO 9001 Registered manufacturer of connectivity and technology parts. StarTech.com was founded in 1985 and has operations in the United States, Canada, the United Kingdom and Taiwan servicing a worldwide market.