

# QL2.1-SYSTEM

DE MONTAGEANLEITUNG:  
GB ASSEMBLY INSTRUCTIONS:  
FR INSTRUCTIONS DE MONTAGE:

IT ISTRUZIONI DI MONTAGGIO:  
NL MONTAGE HANDLEIDING:  
DK MONTERINGSVEJLEDNING:

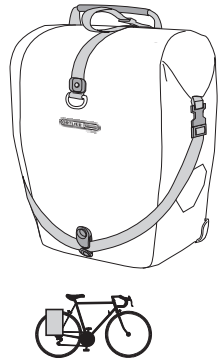
ES INSTRUCCIONES DE MONTAJE:  
SE MONTERINGS ANVISNING:  
NO MONTERINGS ANVISNING:

FI ASENNUSOHJEET:  
PL INSTRUKCJA MONTAZU:  
JP 換気の良い所に保管してください。

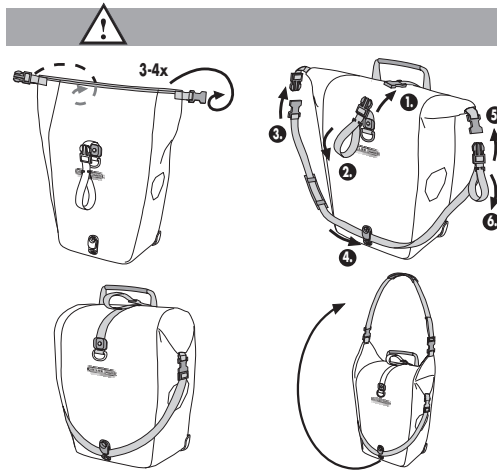


## QL2.1 - MODELS

Back-Roller

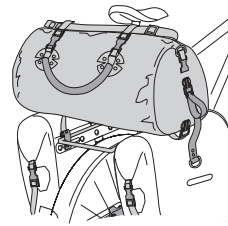


Front-Roller / Sport-Roller incl.



## ACCESSOIRES

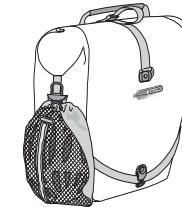
= + Rack-Pack, Size S+M



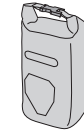
= + Art. #F34



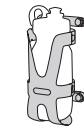
= + Art. #F9121



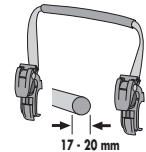
= + Art. #F915



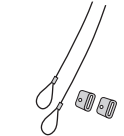
= + Art. #F9101



= + Art. #E193

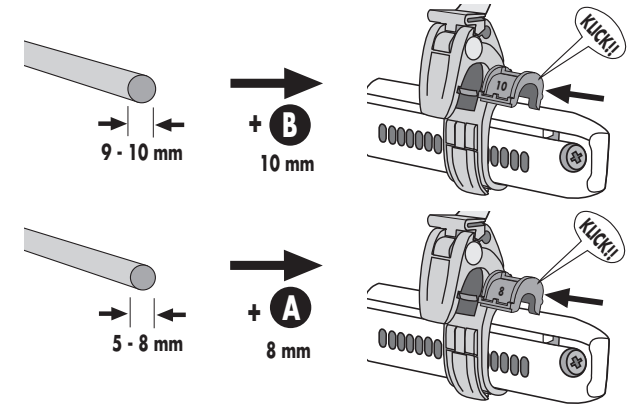
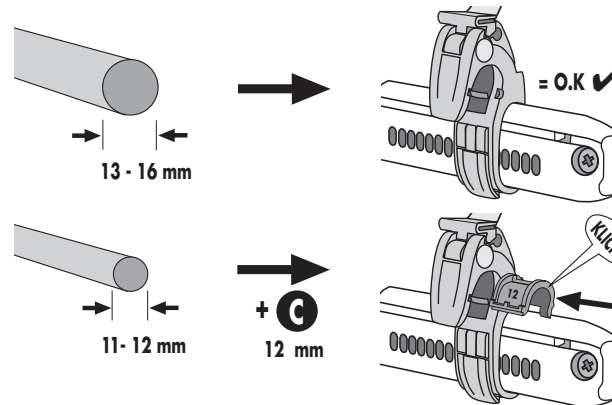
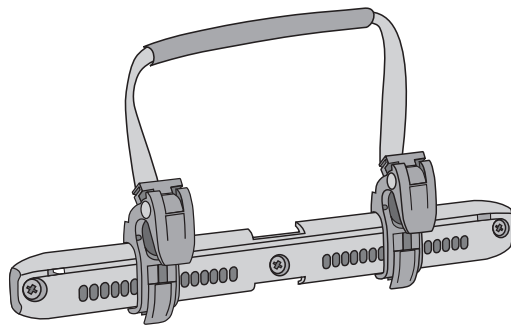


= + Art. #E125 (l)  
= + Art. #E124 (s)

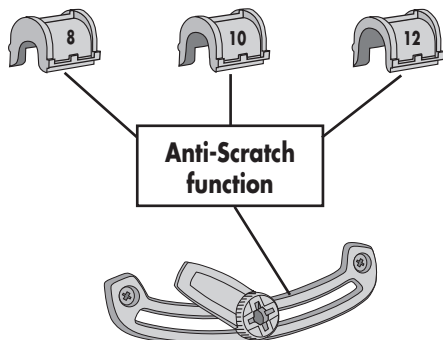


## QL2.1

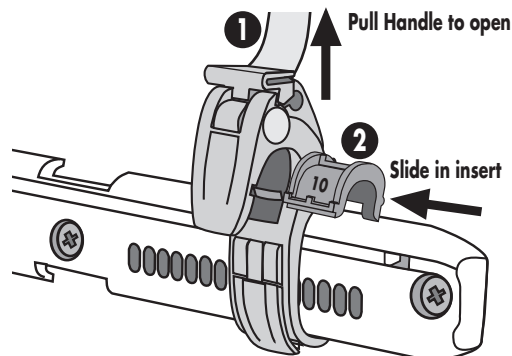
### A



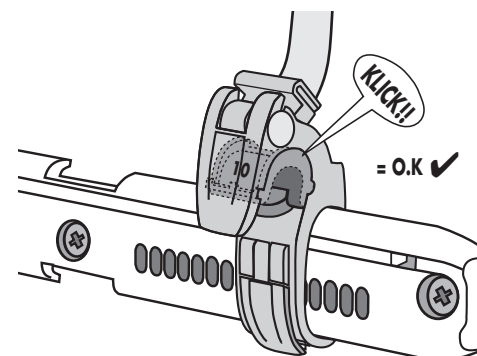
= **A** 8 mm    = **B** 10 mm    = **C** 12 mm



### B



### C



### D

