



MANUAL | QUICK START GUIDE

iCUE LINK TITAN RX RGB

HIGH-PERFORMANCE AIO CPU COOLER WITH RGB FANS



BEFORE YOU START

NOTE: Most newer PC cases include a CPU cut-out to allow access to the back of the motherboard. If your case does not include a cut-out, you will need to remove the motherboard from the case prior to installation.

NOTE: iCUE LINK AIO coolers come with the Intel mounting bracket pre-installed on the pump for quick installation - should you have an AMD system, please remove this bracket and use the included AMD bracket instead. Proceed to the AMD Installation Section for more details.

GETTING TO KNOW

1. iCUE LINK TITAN RX RGB

TITAN 240 RX RGB

TITAN 240 RX RGB

TITAN 280 RX RGB

TITAN 360 RX RGB

TITAN 280 RX RGB

TITAN 360 RX RGB





1. iCUE LINK TITAN RX RGB

2. iCUE LINK RX RGB Fans

3. Intel and AMD Mounting Brackets

4. iCUE LINK Bridge Connectors (Active and Passive)

5. Fan and Radiator Mounting Screws

6. USB Type-C Port (for LCD screen CapSwap)

7. iCUE LINK Active Port

2. iCUE LINK RX RGB FANS

The pre-installed decorative plate (3) on the RX RGB is detachable. The fan can be used with or without the decorative plate, depending on your preference.



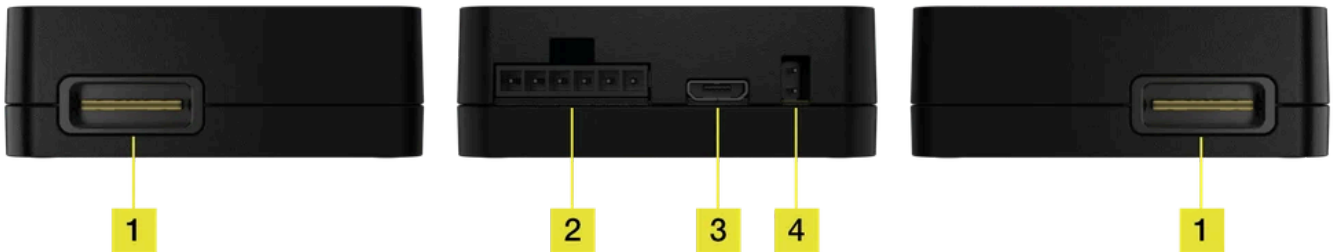


1. iCUE LINK Active Port

3. Decorative Plate (Pre-installed)

2. iCUE LINK Passive Port

3. iCUE LINK SYSTEM HUB



1. iCUE LINK Active Port

3. USB Input

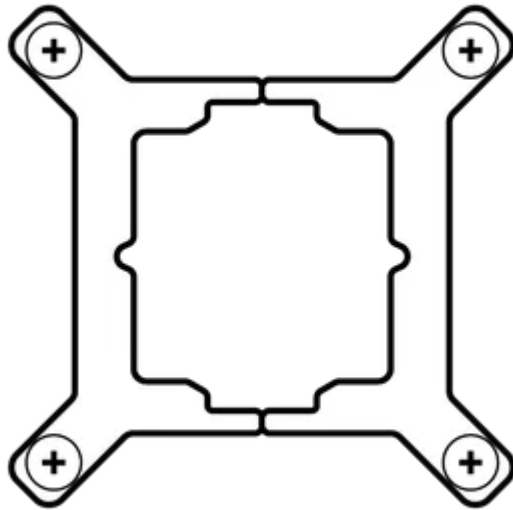
2. Power Input

4. Tach Output



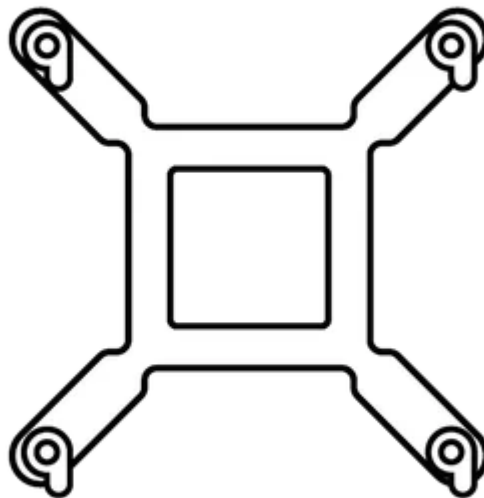
INCLUDED HARDWARE

A



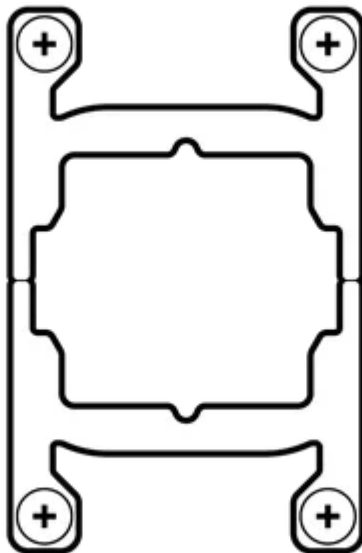
1x Intel LGA 1851/1700
Mounting Bracket
(Pre-installed)

B



**1x Intel LGA 1851/1700
Backplate**

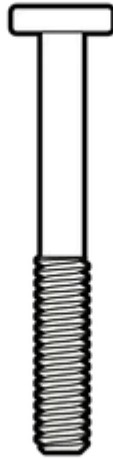
C



**1x AMD AM5/AM4
Mounting Bracket Set**



D



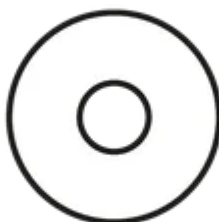
16x Long Fan Screws (240 | 280)
24x Long Fan Screws (360)

E



8x Radiator Screws (240 | 280)

12x Radiator Screws (360)

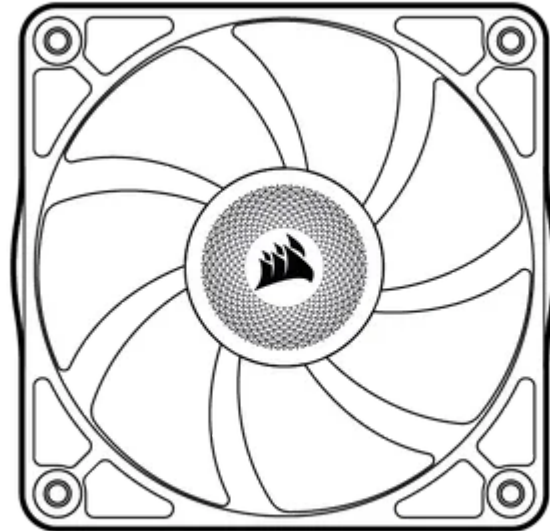


8x Washers (240 | 280)

12x Washers (360)



G

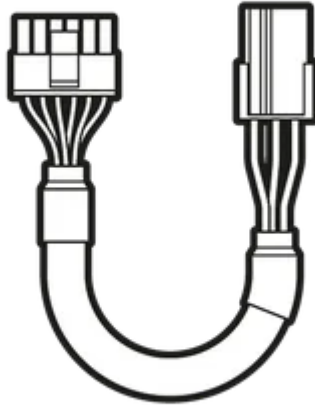


2x RX RGB (240 | 280)
3x RX RGB (360)

H



1x System Hub



1x 150mm PCIe Power Cable

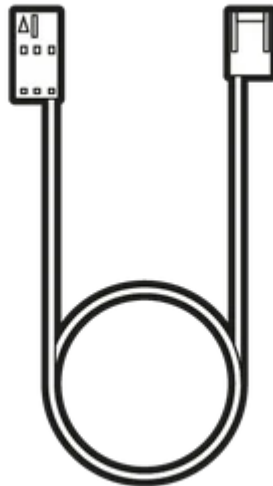


J



1x 500mm Micro USB 2.0 Cable

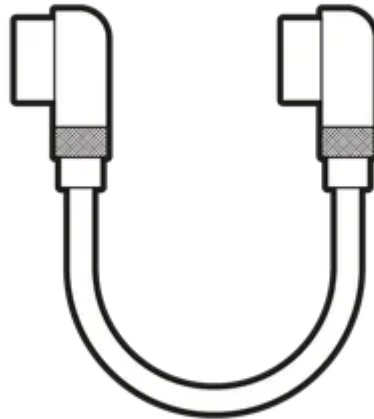
K



1x 800mm Tach Cable

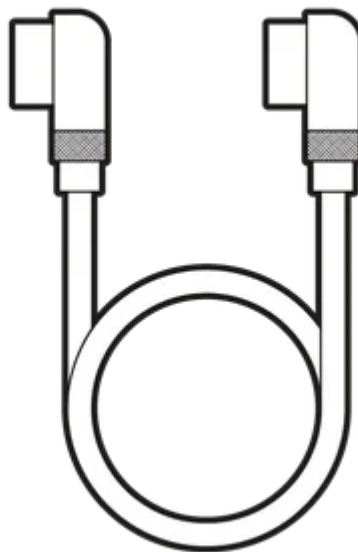


L



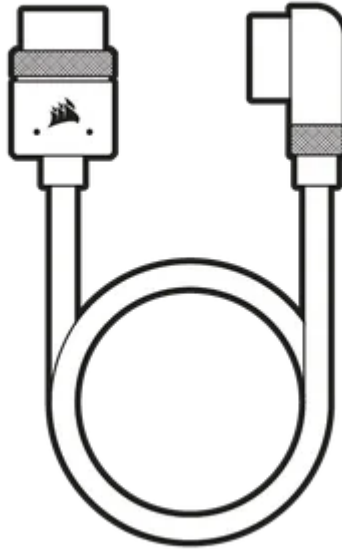
1x 250mm iCUE LINK Cable With Dual 90° Connectors

M



1x 600mm iCUE LINK Cable With Dual 90° Connectors

N



1x 600mm iCUE LINK Cable With Straight/90° Connectors

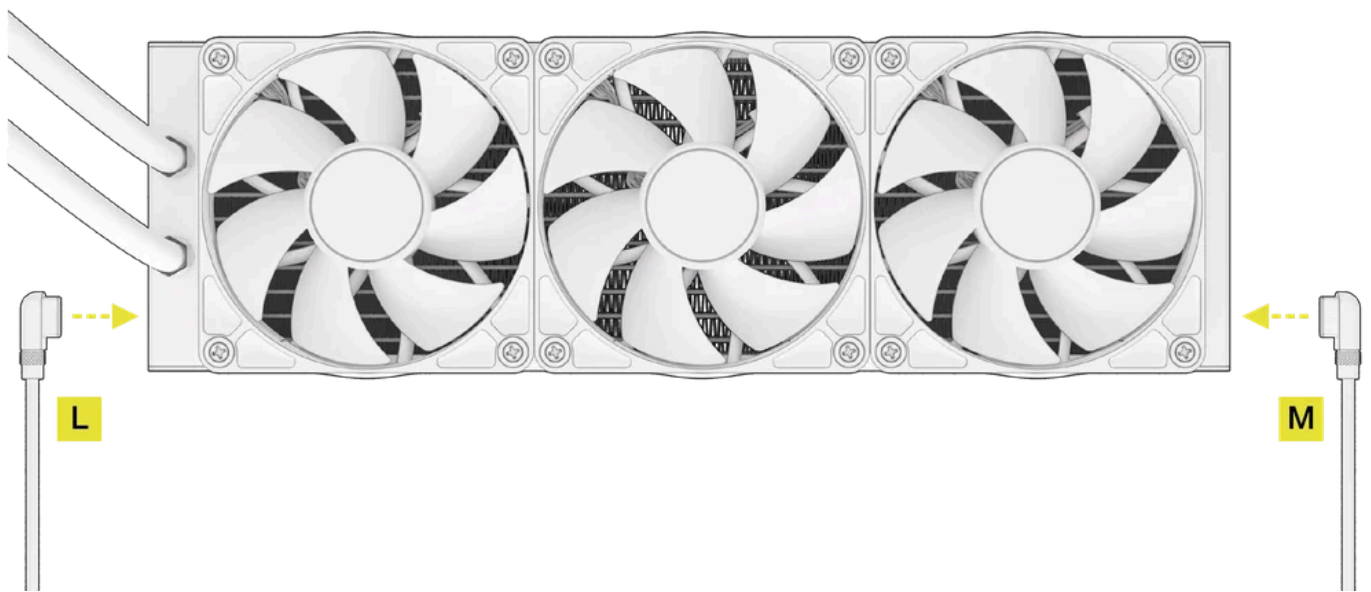
PREPARE iCUE LINK TITAN RX RGB FOR INSTALLATION



NOTE: The next steps will display one of several ways to complete a circuit with the TITAN RX RGB mounted in the top of a case with an iCUE LINK fan (sold separately) mounted in the rear.

1. CONNECT iCUE LINK CABLES

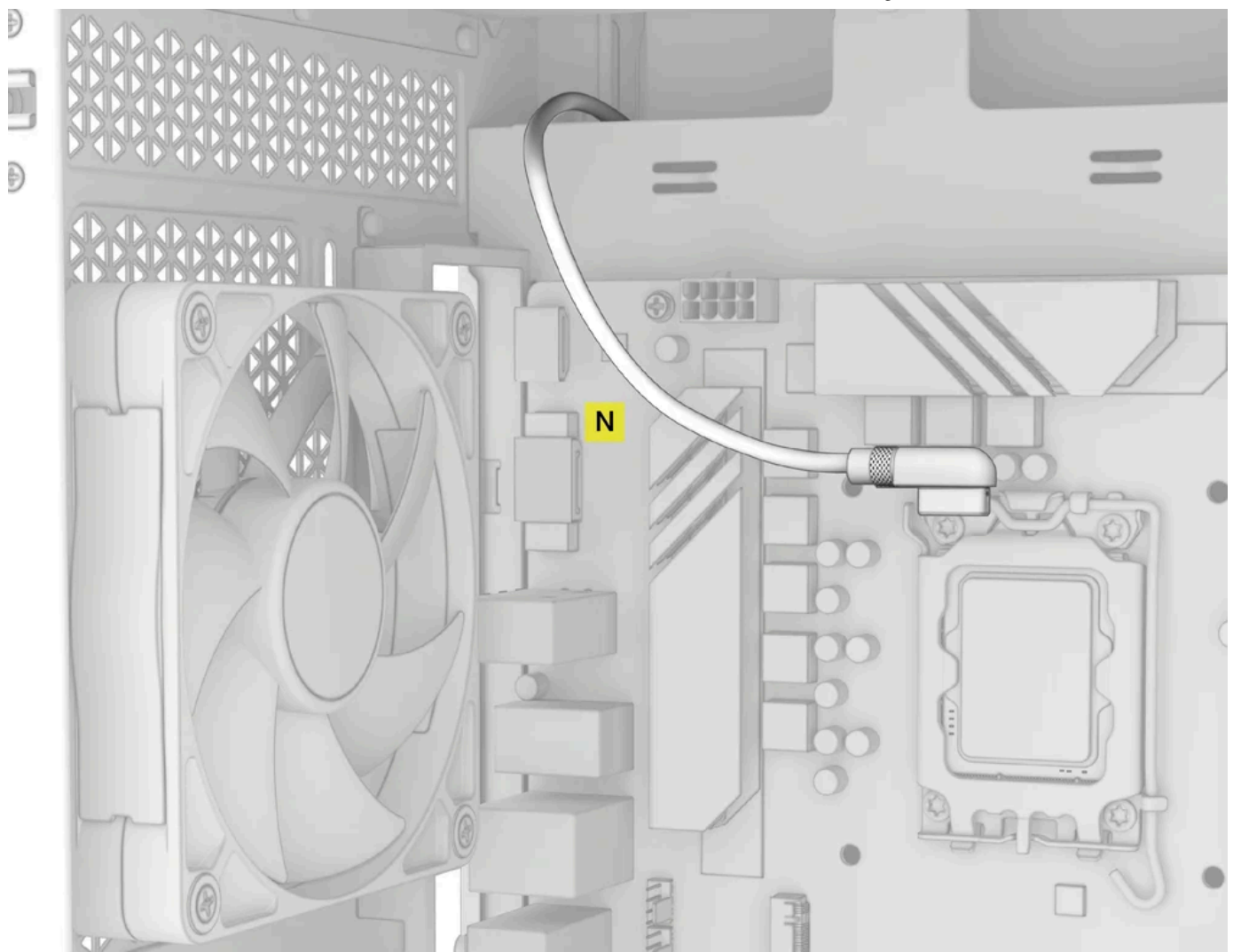
- Connect the iCUE LINK cables (**L**,**M**) into the radiator-mounted RX RGB fans as shown below.



2. ROUTE THE iCUE LINK CABLE

- Route the long iCUE LINK cable (**N**) through the nearest cut-out from the pump.

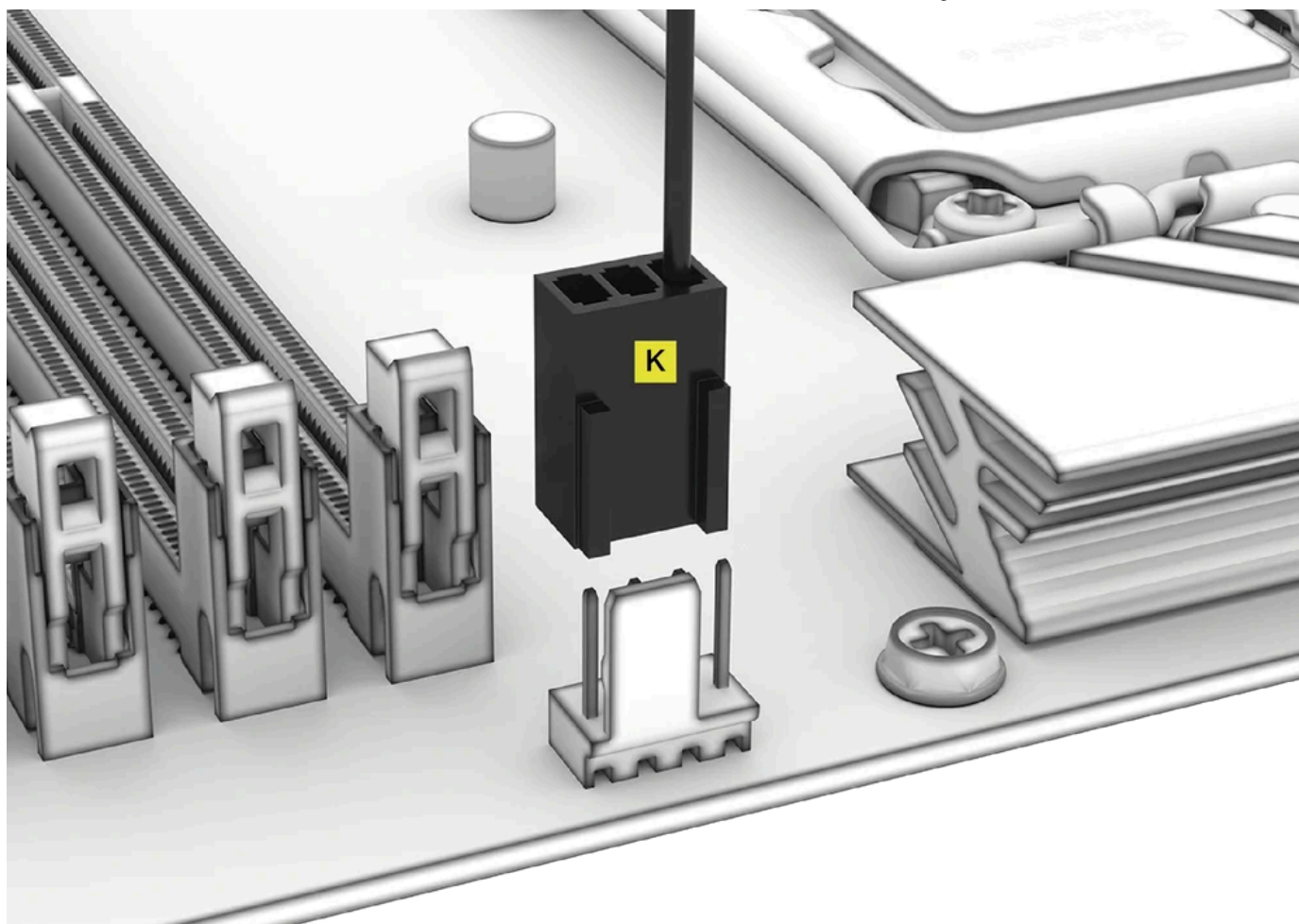




3. CONNECT THE TACH CABLE

- Connect the 3-pin, 1-wire tach cable (**K**) into CPU_FAN header on the motherboard then route it behind the motherboard tray.



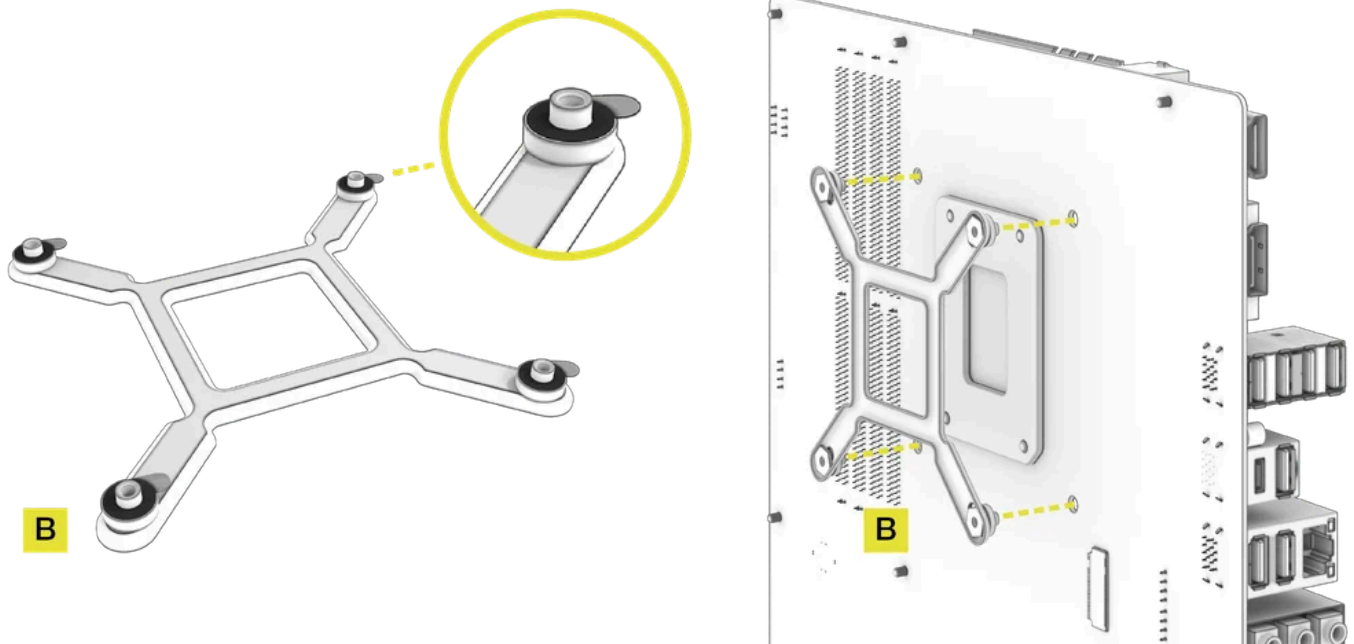


INTEL INSTALLATION

1. INSTALL THE BACKPLATE

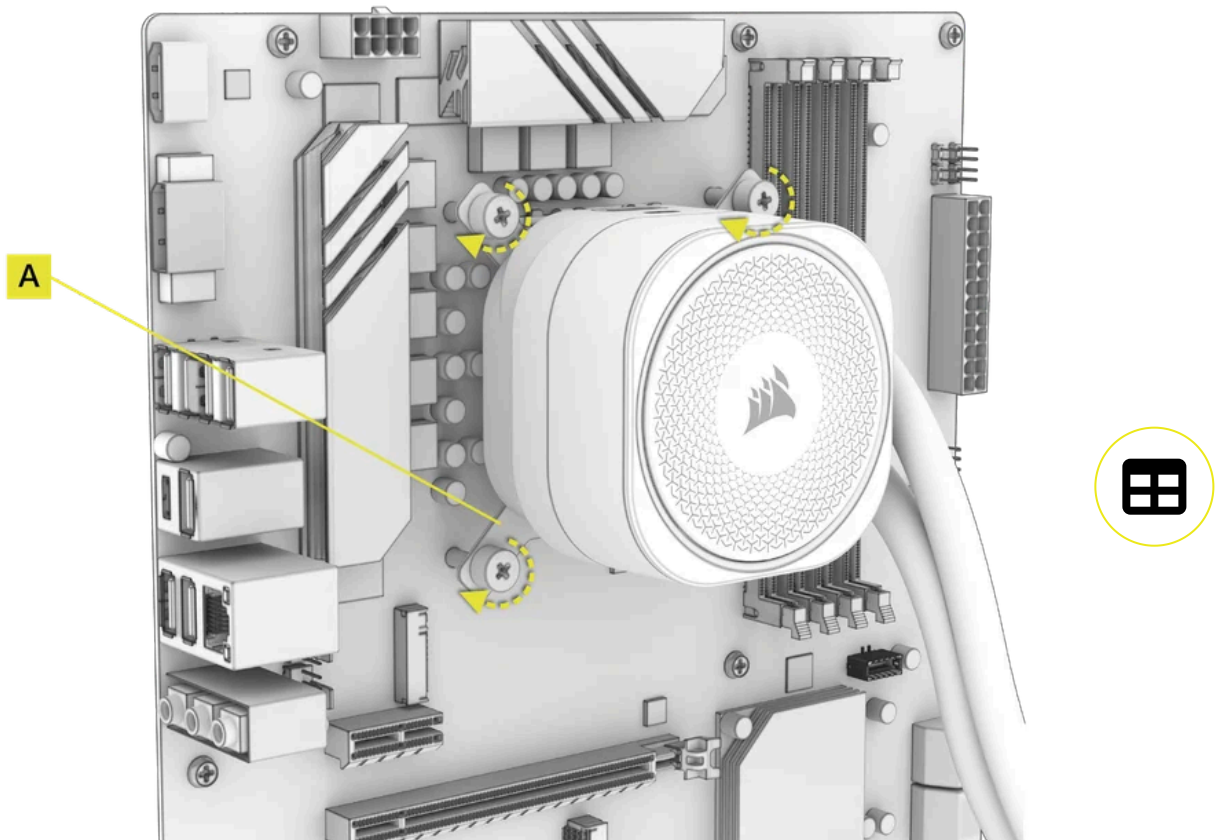
- Remove protective film from the self-adhesive side on Intel LGA 1851/1700 backplate **(B)**.
- Align the backplate **(B)** then adhere it with the self-adhesive side behind the motherboard.





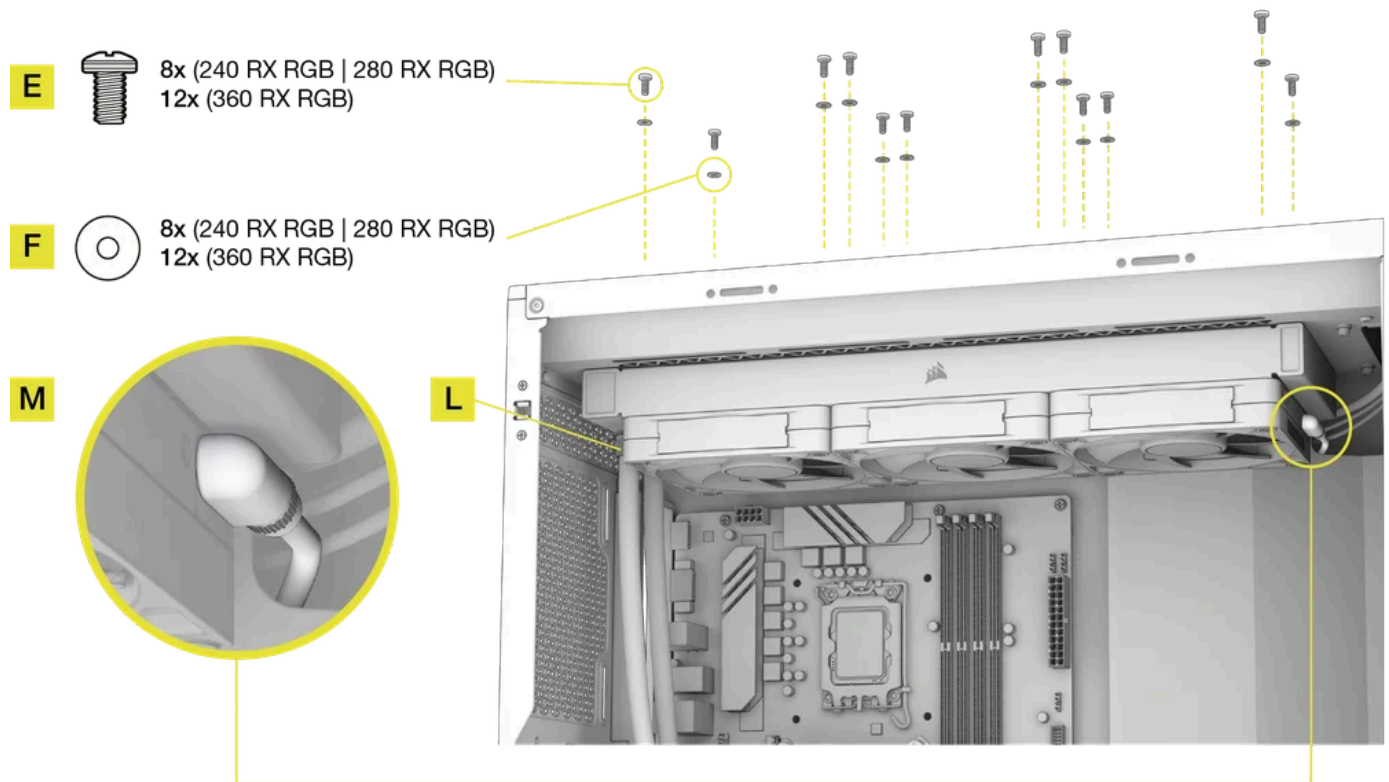
2. INSTALL THE PUMP UNIT

- Align the screws and pump over the backplate then fasten the screws in a cross pattern going from opposite corners.
- Tighten the bracket (**A**) screws until all four corners are tightened.



3. INSTALL THE RADIATOR

- Insert the other end of the short cable (**L**) into the rear fan then mount the radiator inside the case with the short screws (**E**) and washers (**F**) as shown.
- Route the 600mm iCUE LINK cable (**M**) behind the motherboard tray.



[Continue to the System Hub Installation](#)

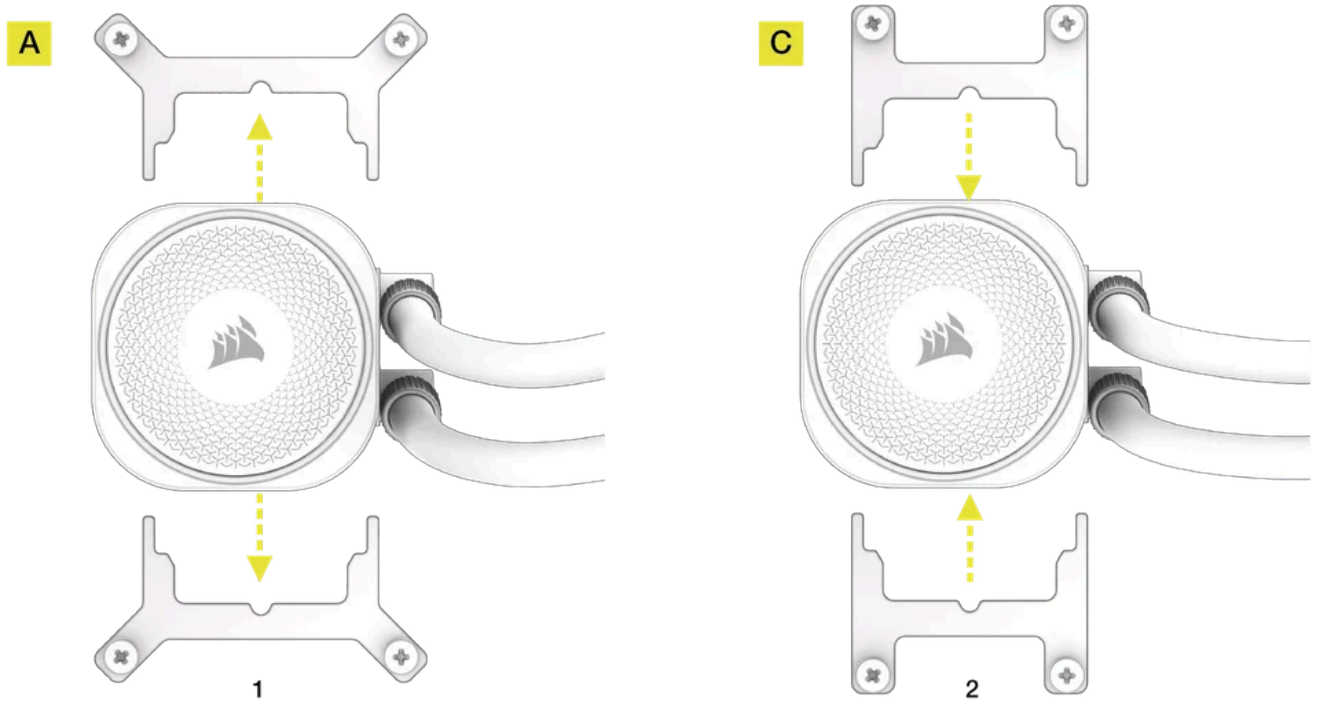


AMD INSTALLATION

1. INSTALL THE AMD MOUNTING BRACKET

- Replace the pre-installed Intel mounting bracket (**A**) with the AMD mounting bracket (**C**).

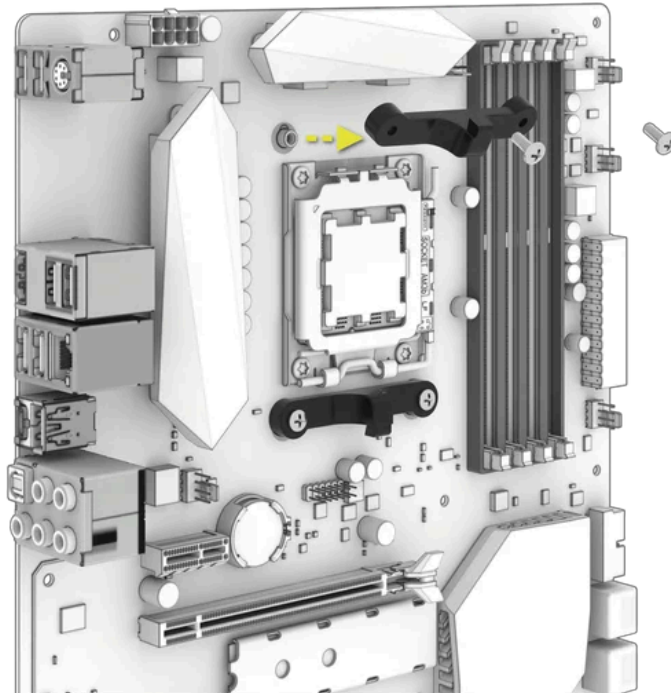
NOTE: It is important that the AMD AM5/AM4 retention bracket be evenly secured on all sides before installation.



2. PREPARE THE MOTHERBOARD FOR INSTALLATION

- Remove the existing AMD AM5/AM4 mounting brackets shown.

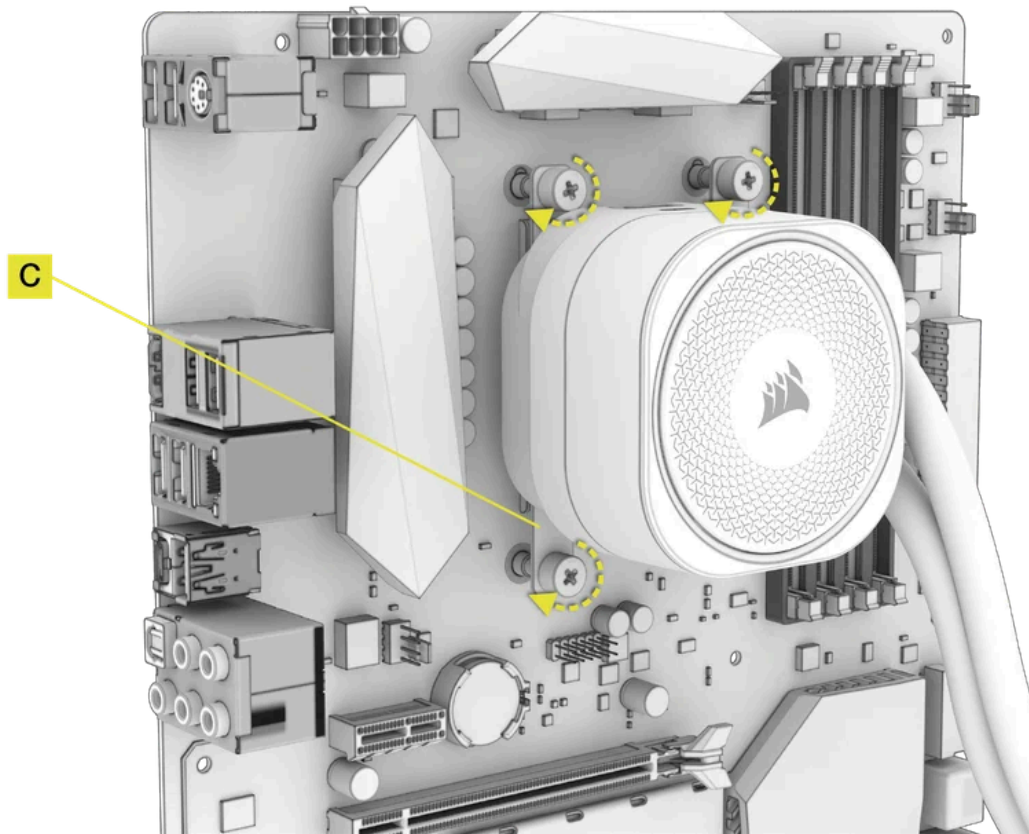




3. INSTALL THE PUMP UNIT

- Align the screws and pump over the backplate then fasten the screws in a cross pattern going from opposite corners.
- Tighten the bracket (C) screws until all four corners are tightened.

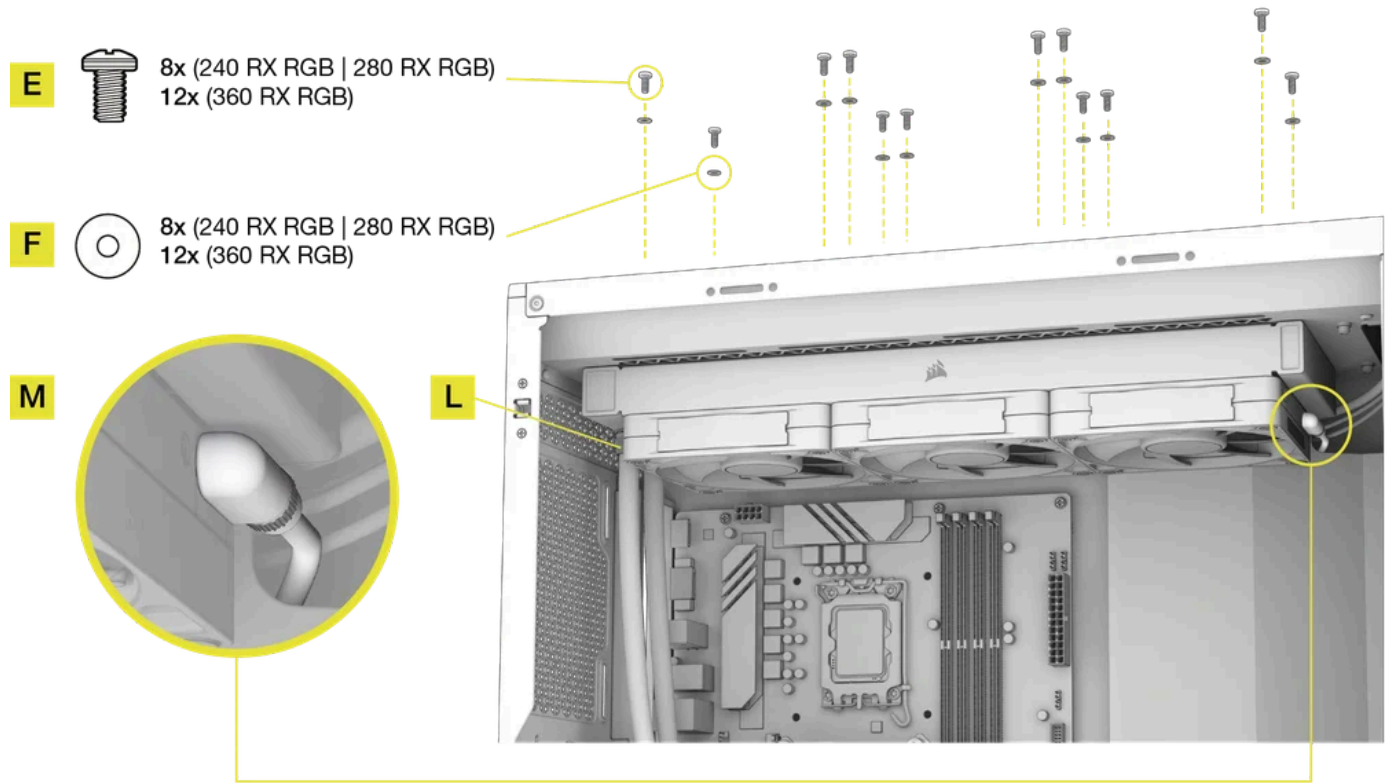




4. INSTALL THE RADIATOR

- Insert the other end of the short cable (**L**) into the rear fan then mount the radiator inside the case with the short screws (**E**) and washers (**F**) as shown.
- Route the 600mm iCUE LINK cable (**M**) behind the motherboard tray.

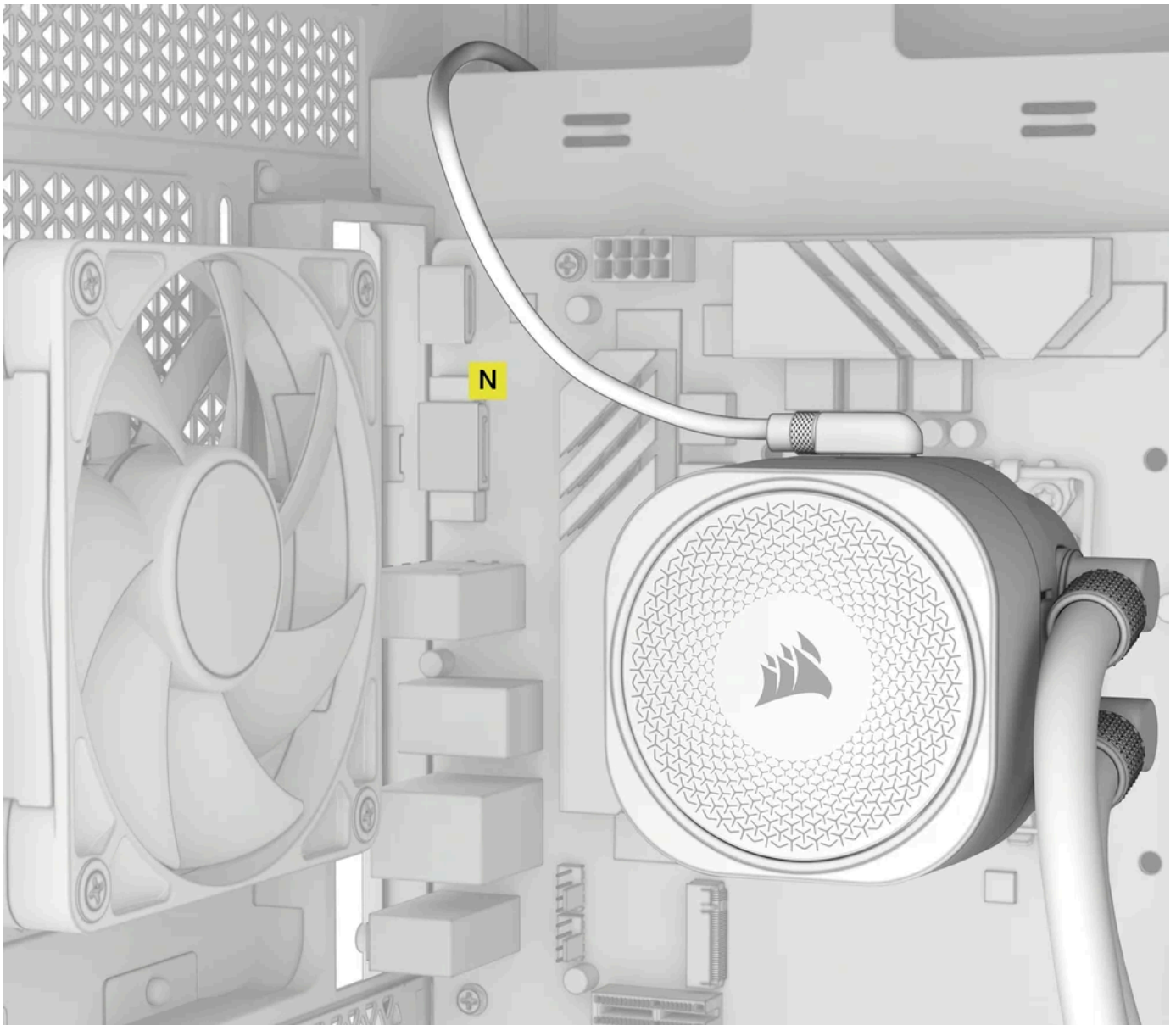




CONNECT THE TITAN RX RGB PUMP

- Insert the 90° connector from the 600mm iCUE LINK cable (**N**) into the pump.



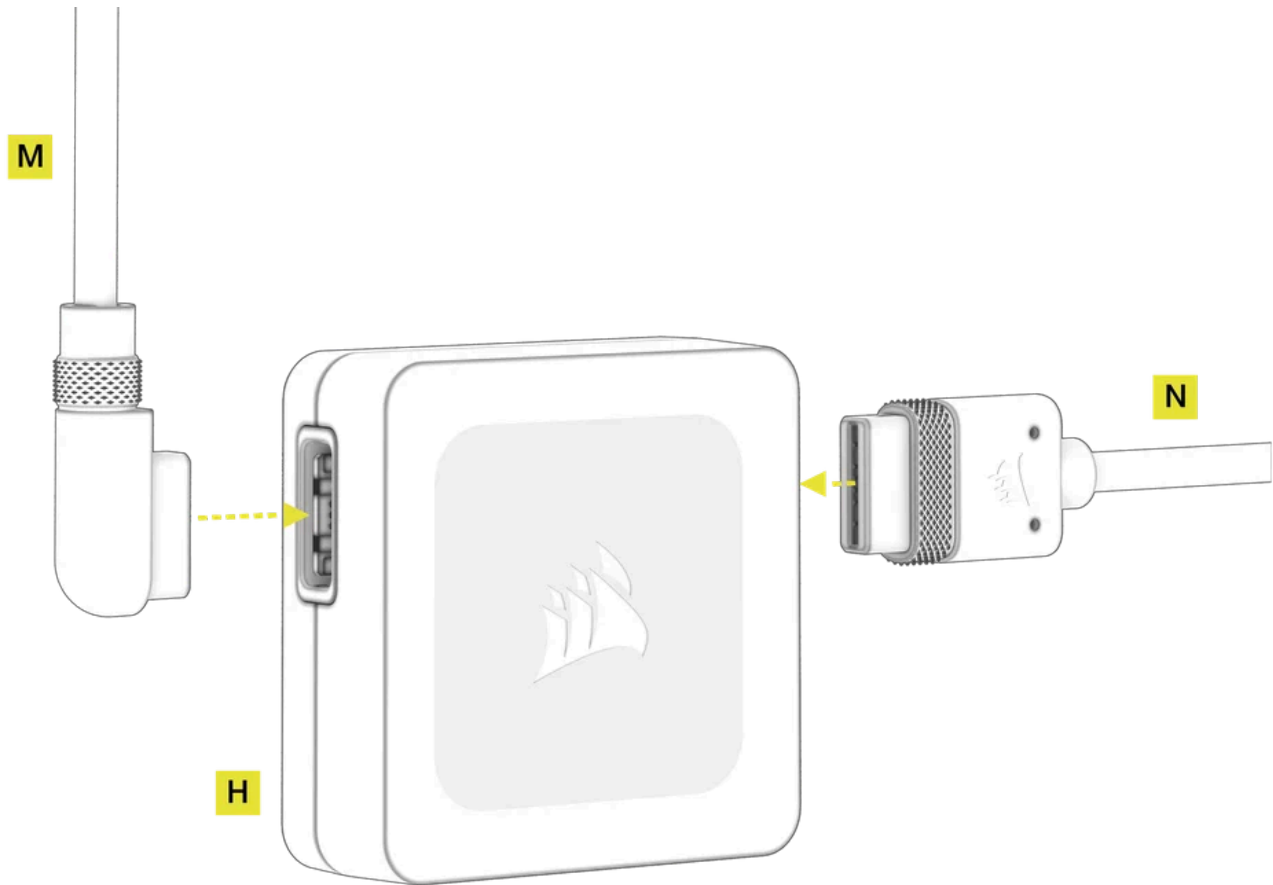


iCUE LINK SYSTEM HUB INSTALLATION

1. CONNECT THE iCUE LINK CABLES



- Connect the iCUE LINK cables (**M,N**) into the System Hub (**H**).

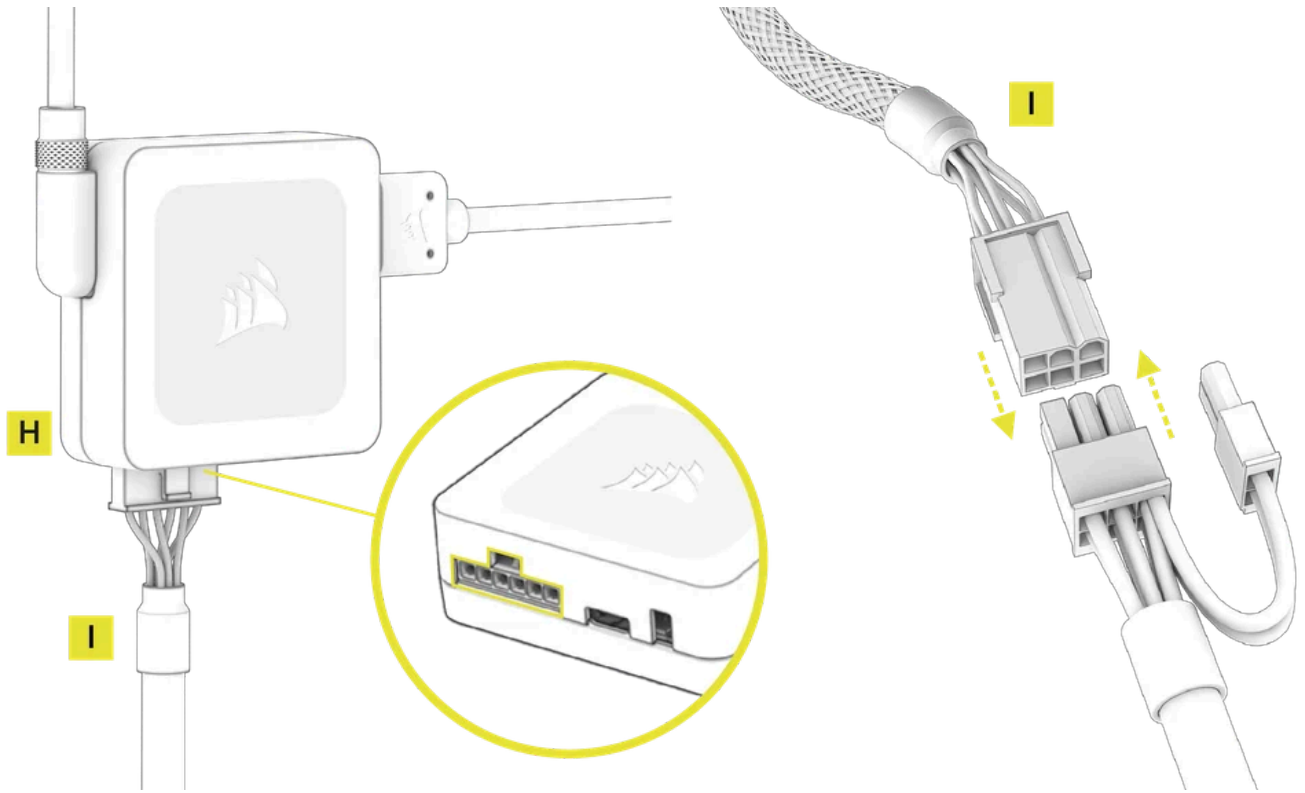


2. CONNECT THE POWER CABLE

- Connect the 6-pin microfit connector (I) into the System Hub (H).
- Connect the 6-pin PCIe connector (I) into a dedicated PCIe power cable from the power supply.

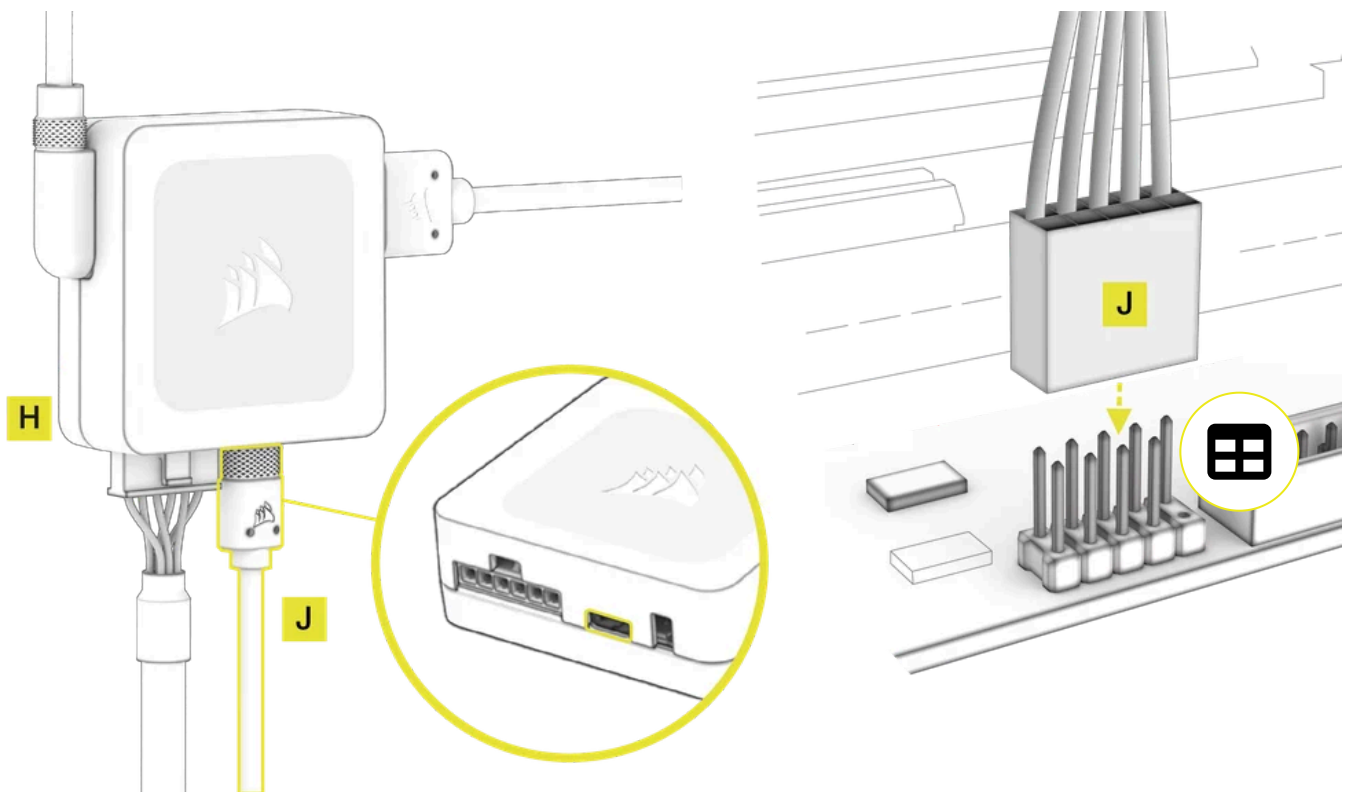
NOTE: Please note that the power cable (H) and your PSU's 6-pin PCIe cable are keyed to fit one orientation only. Failure to connect the power cable (H) will cause damage to the iCUE LINK System Hub.





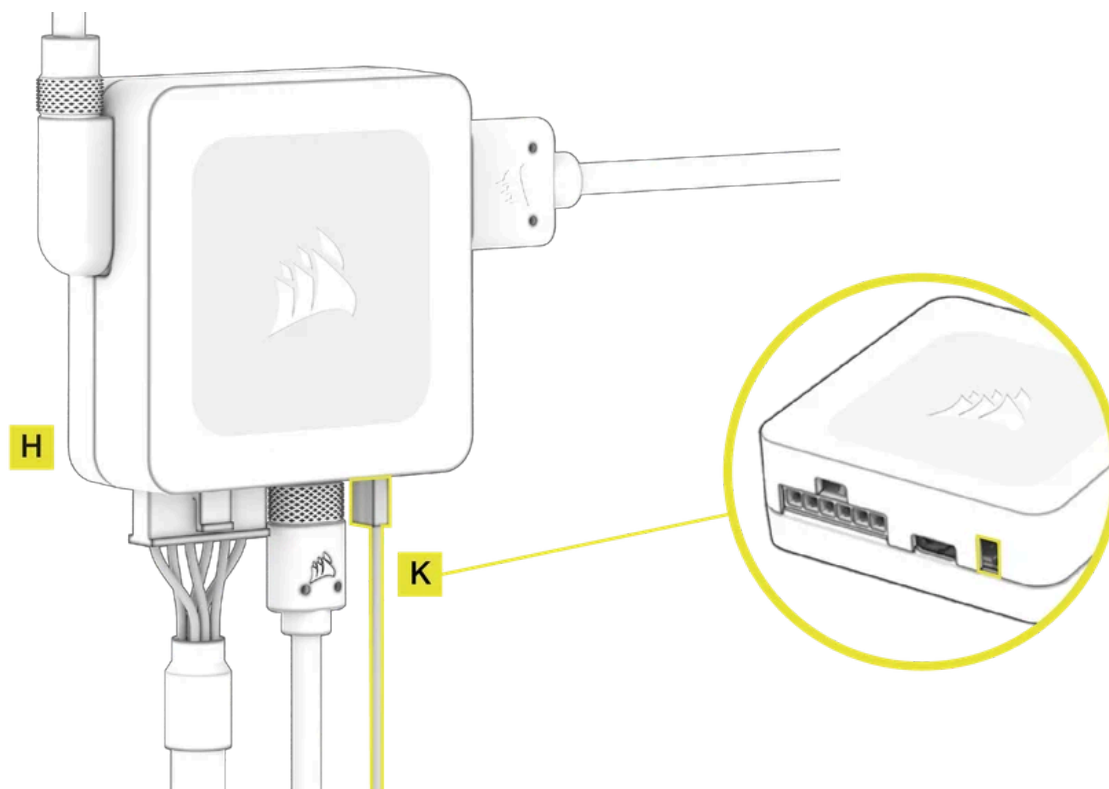
3. CONNECT THE DATA CABLE

- Connect the micro-USB cable (**J**) into the System Hub (**H**).
- Connect the 9-pin USB connector (**J**) into a USB 2.0 header on the motherboard.



4. CONNECT TACH CABLE

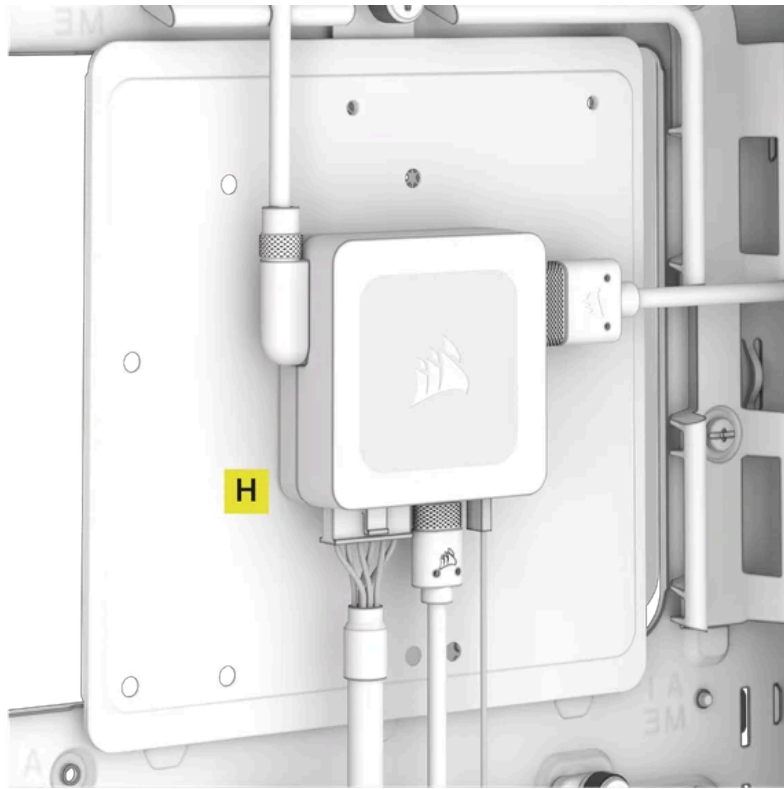
- Connect the 2-pin, 1-wire tach cable (**K**) from into the System Hub (**H**).



5. MOUNT SYSTEM HUB

- Mount the System Hub (**H**) inside the case magnetically or with the supplied tape.





SOFTWARE SETUP

VIDEO TUTORIAL

See our comprehensive iCUE setup video guide. This visual guide provides a step-by-step walkthrough of iCUE setup detailed in the writing below.



1. INSTALL iCUE

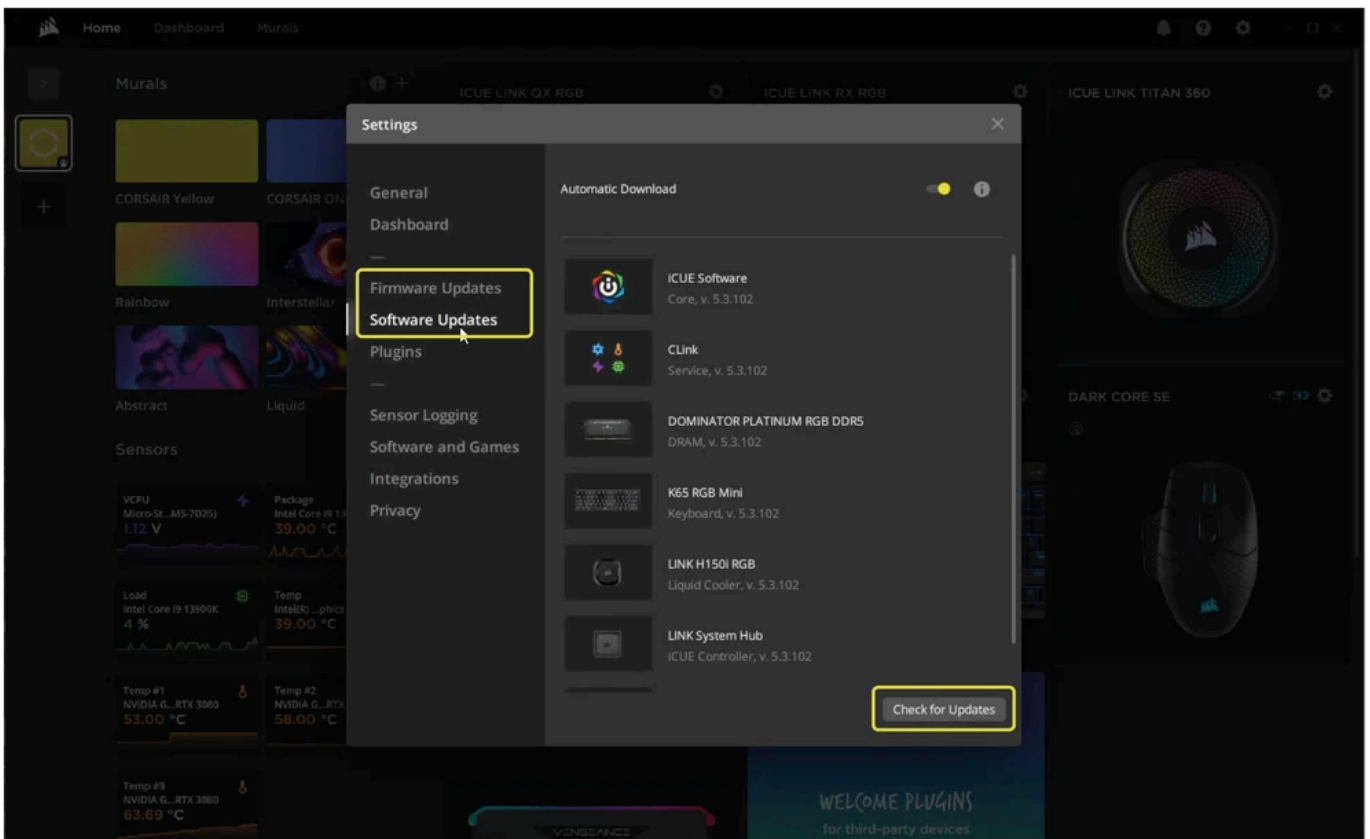
- [Download and install the latest version of iCUE software.](#)



2. UPDATE FIRMWARE FOR CONNECTED DEVICES

- Once iCUE is installed run the software. If any of the connected devices need a firmware update, you will be prompted to perform an update via a notification in the top right corner. You can also click the settings (cog wheel icon in the top right corner) and check for the software and firmware updates manually.



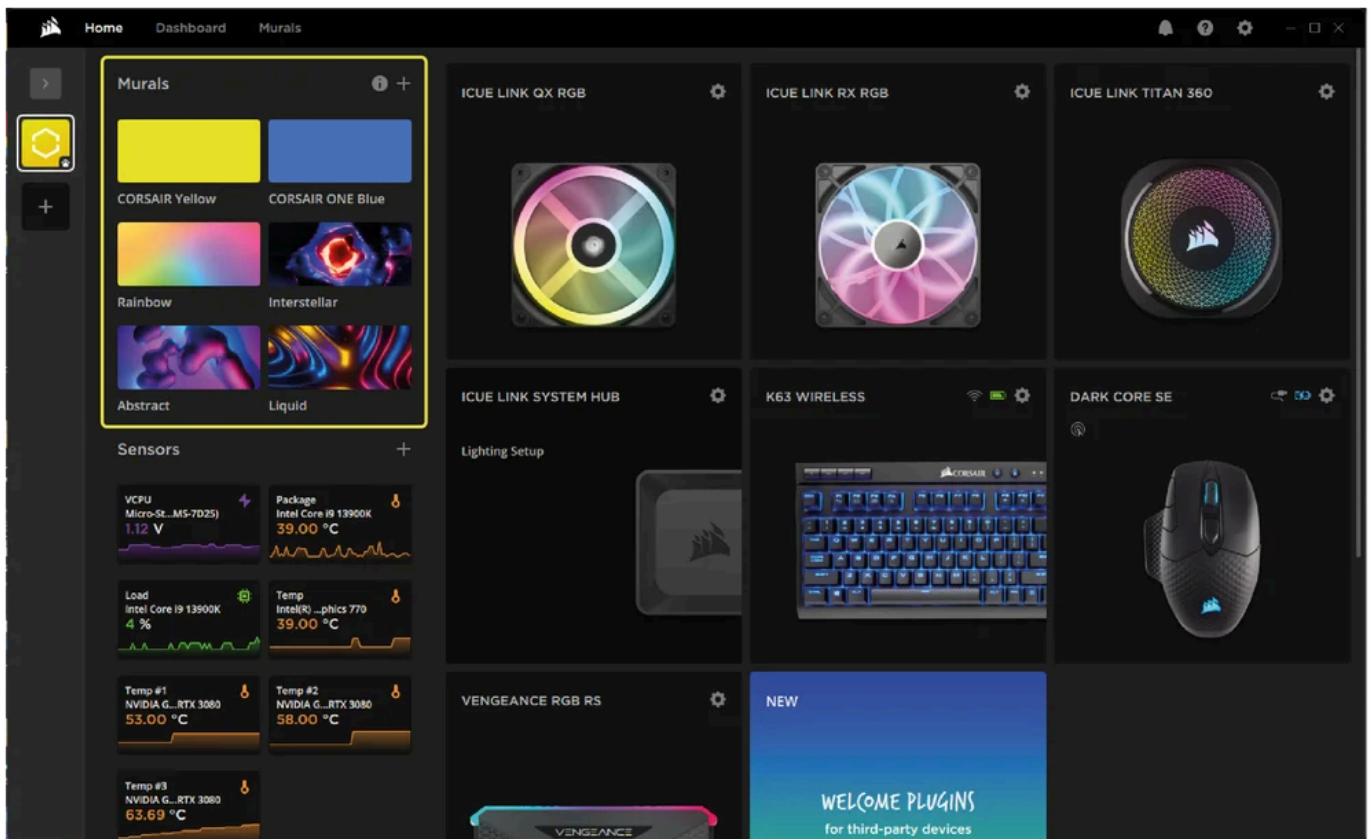


3. LIGHTING SETUP

Quick Lighting Setup

- Select the predefined Murals effects from the iCUE Home screen to quickly change the lighting effects.



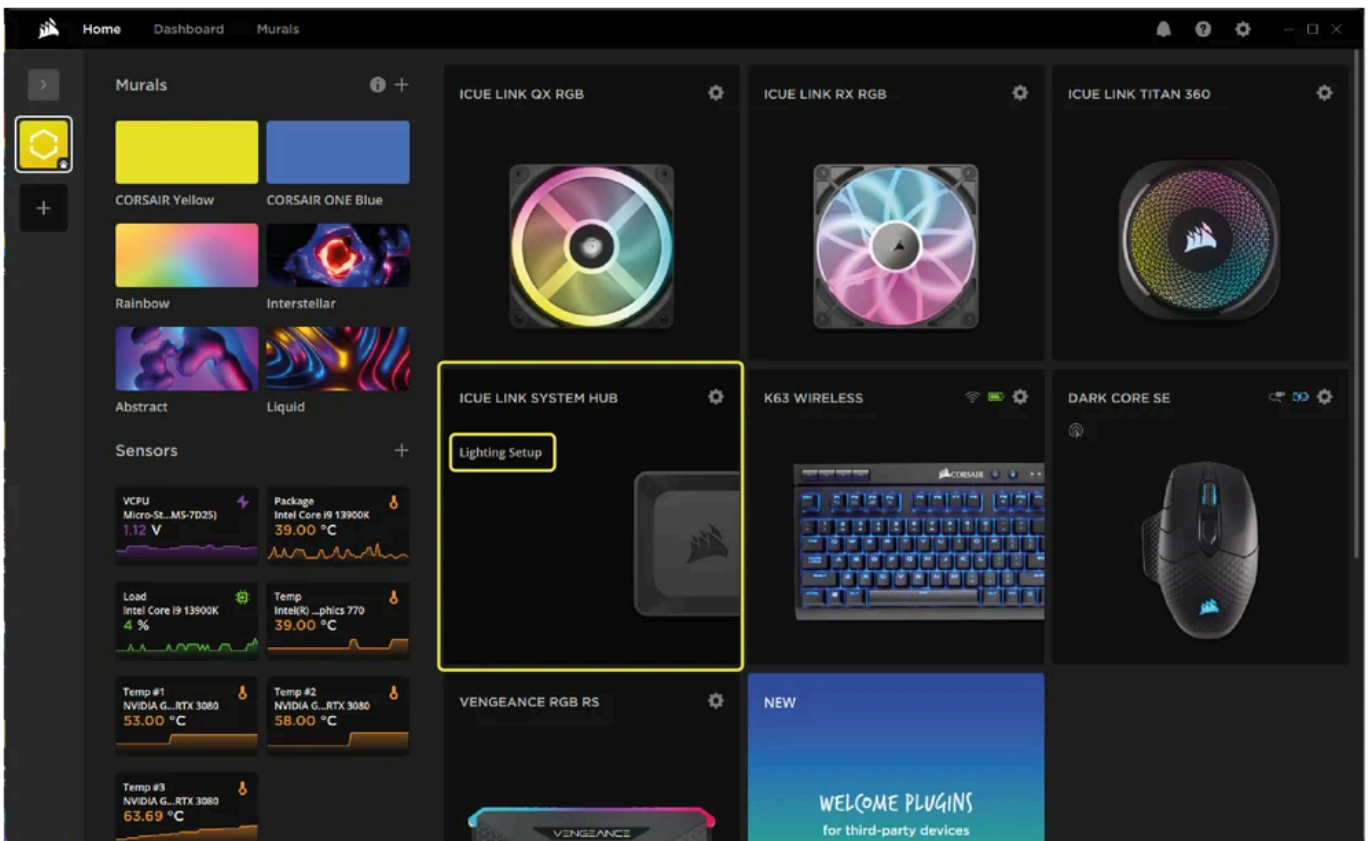


Lighting Setup

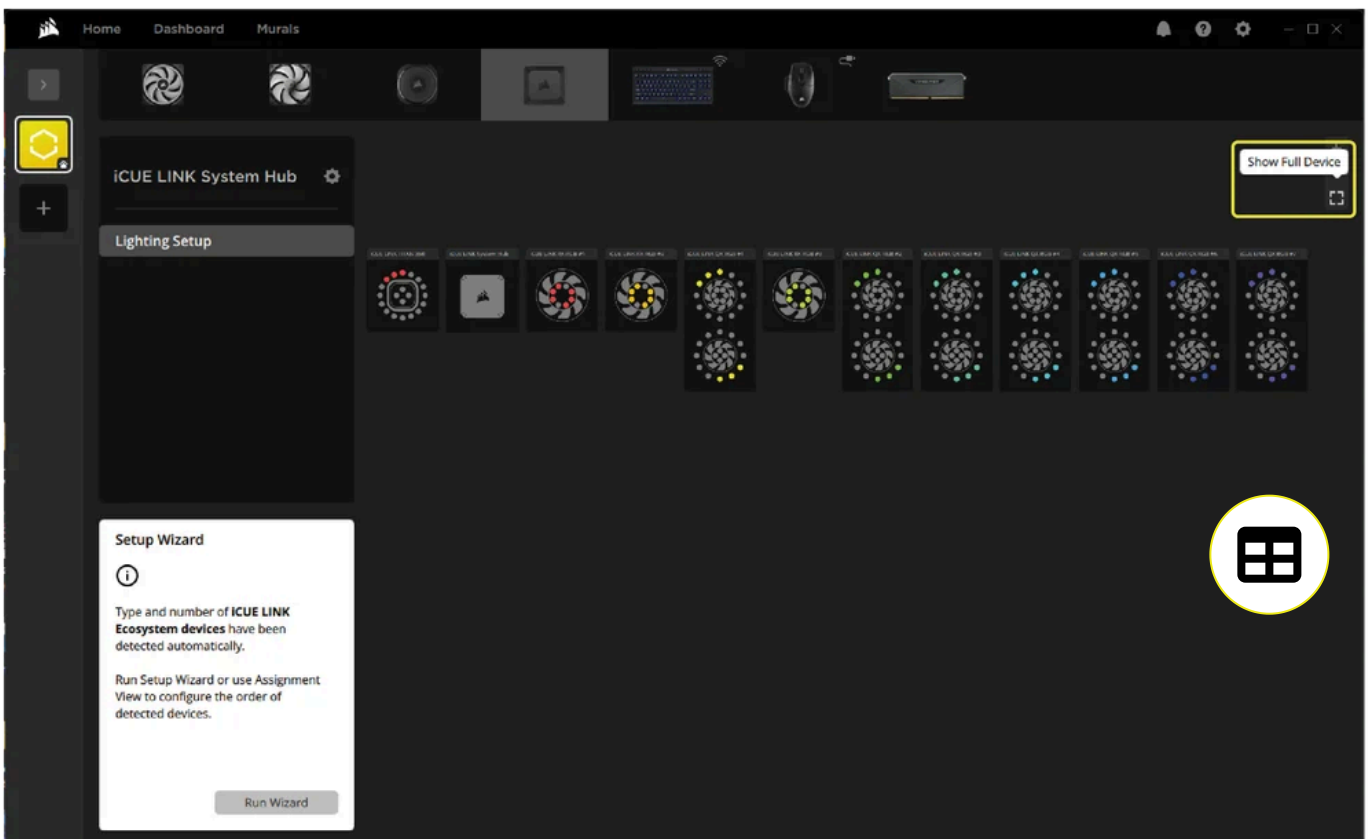
The Lighting Setup page will display all iCUE LINK devices connected to the System Hub and allow you to re-order them to better match the physical placement inside your system.

- Mouseover the System Hub tile and select Lighting setup.





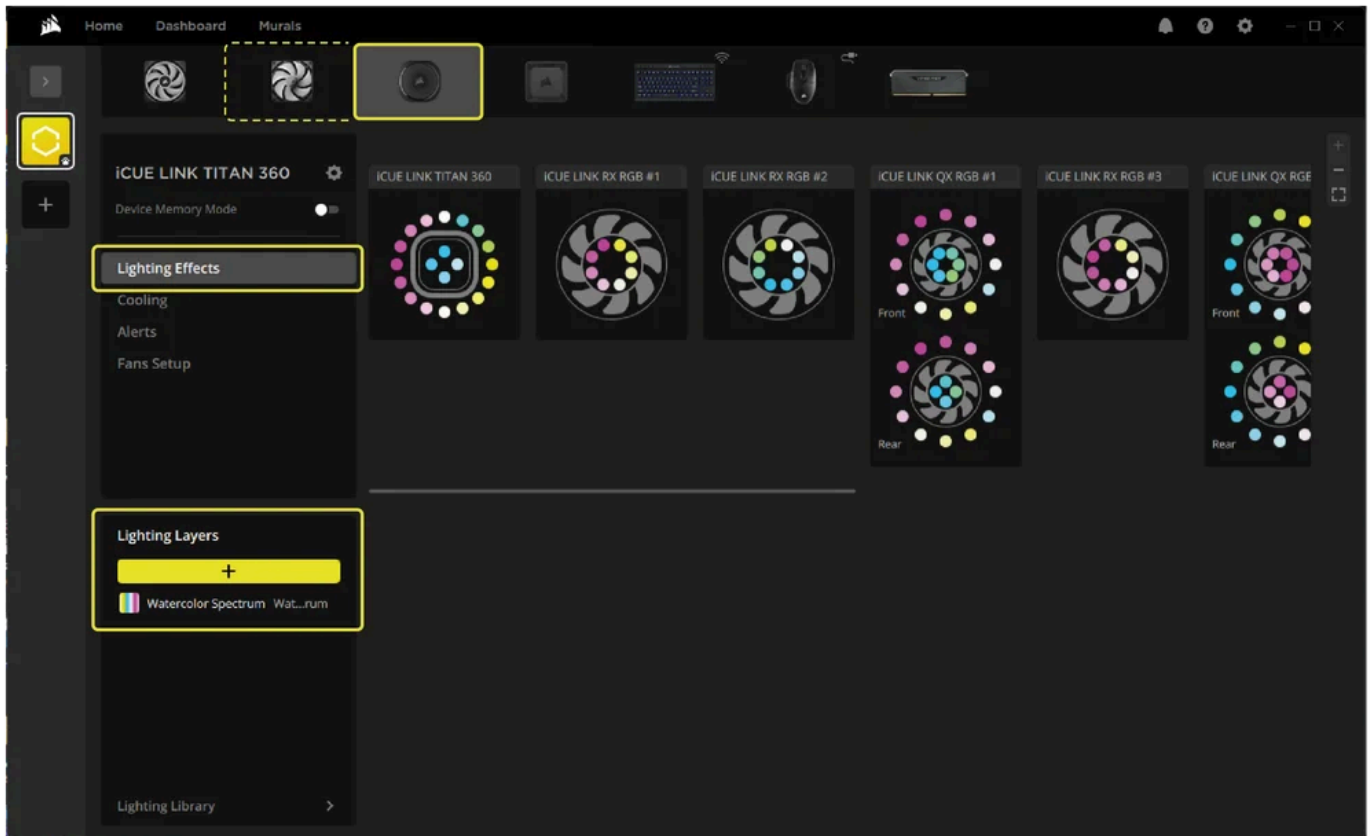
- Re-arrange your iCUE LINK devices to match your setup.
- Click on the box icon on the right to display all devices inside the window, if needed.



Lighting Effects

Choose what lighting effect will be displayed when the iCUE software is running:

- Select either the iCUE LINK TITAN RX RGB AIO or RX RGB from the navigation bar.
- Click "Lighting Effects" to access the lighting effects page and select the desired lighting effect.
- Click the "+" icon under "Lighting Layers" to add additional lighting effects.

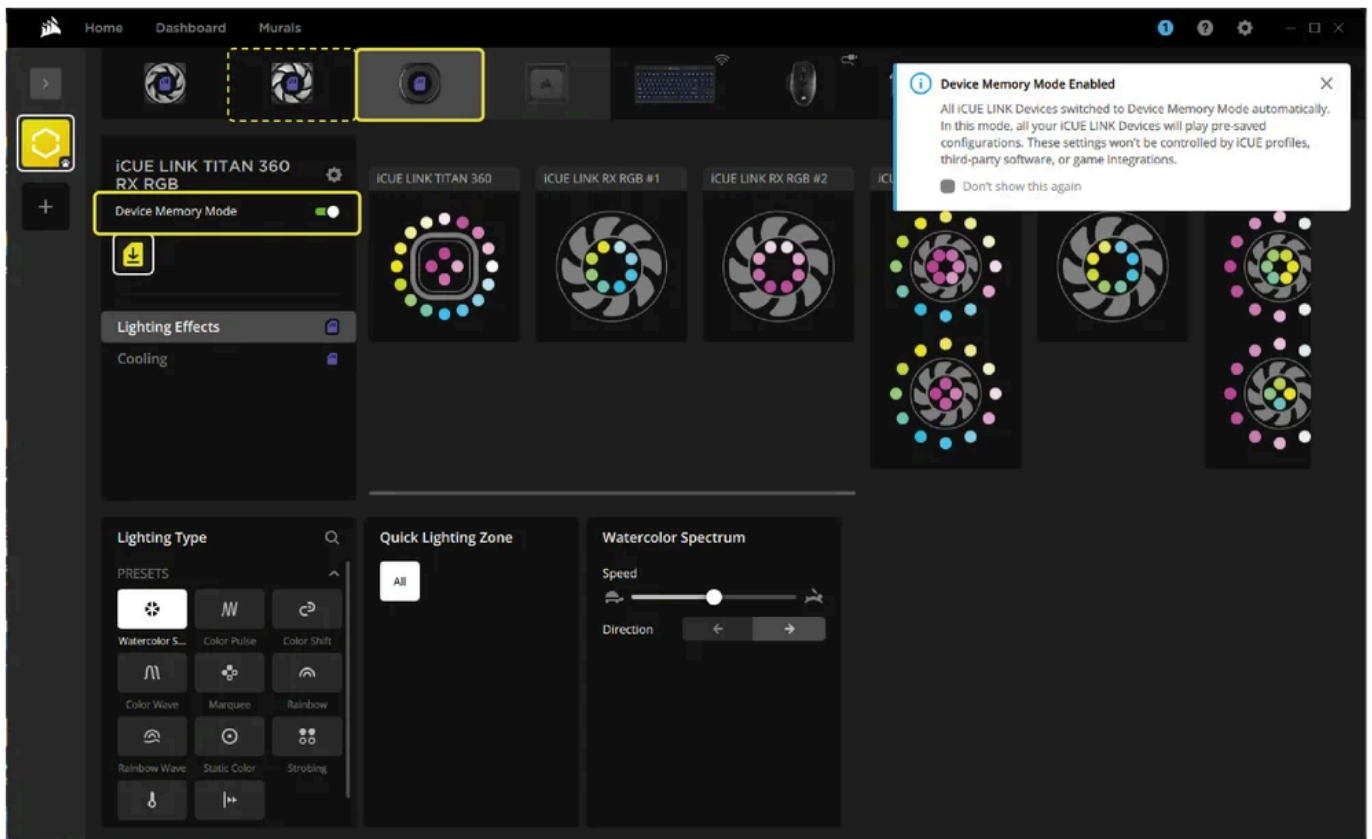


Device Memory Mode

Choose what lighting effect will be displayed when iCUE software is not running, usually during computer the startup phase:



- Select either the iCUE LINK TITAN RX RGB AIO or RX RGB from the navigation bar.
- Toggle the Device Memory Mode by clicking on the button.
- Once the desired setting is selected, click on the save icon.

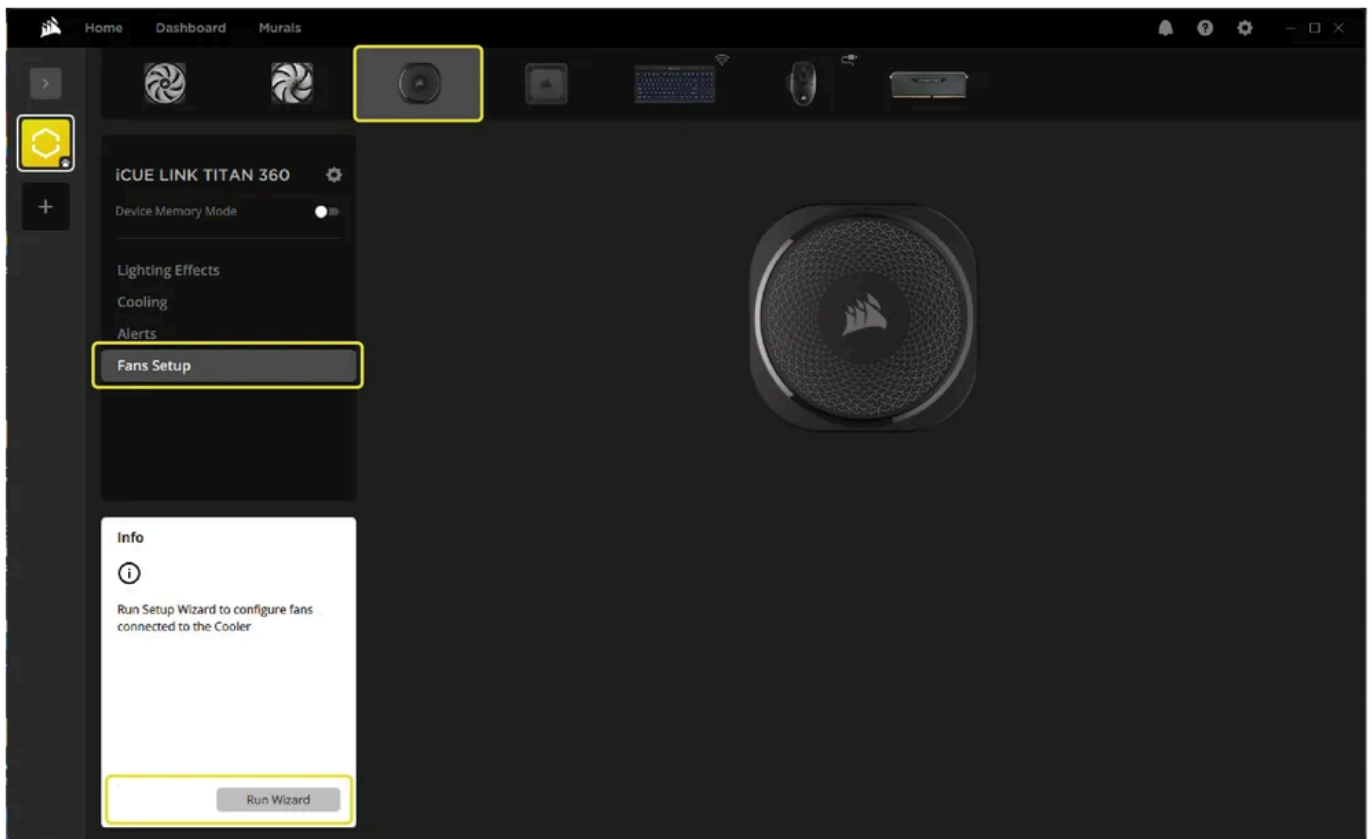


4. COOLING SETUP

AIO Fans Setup

- Select the iCUE LINK TITAN RX RGB AIO from the navigation bar.
- Click “Fans Setup” and click "Run Wizard".

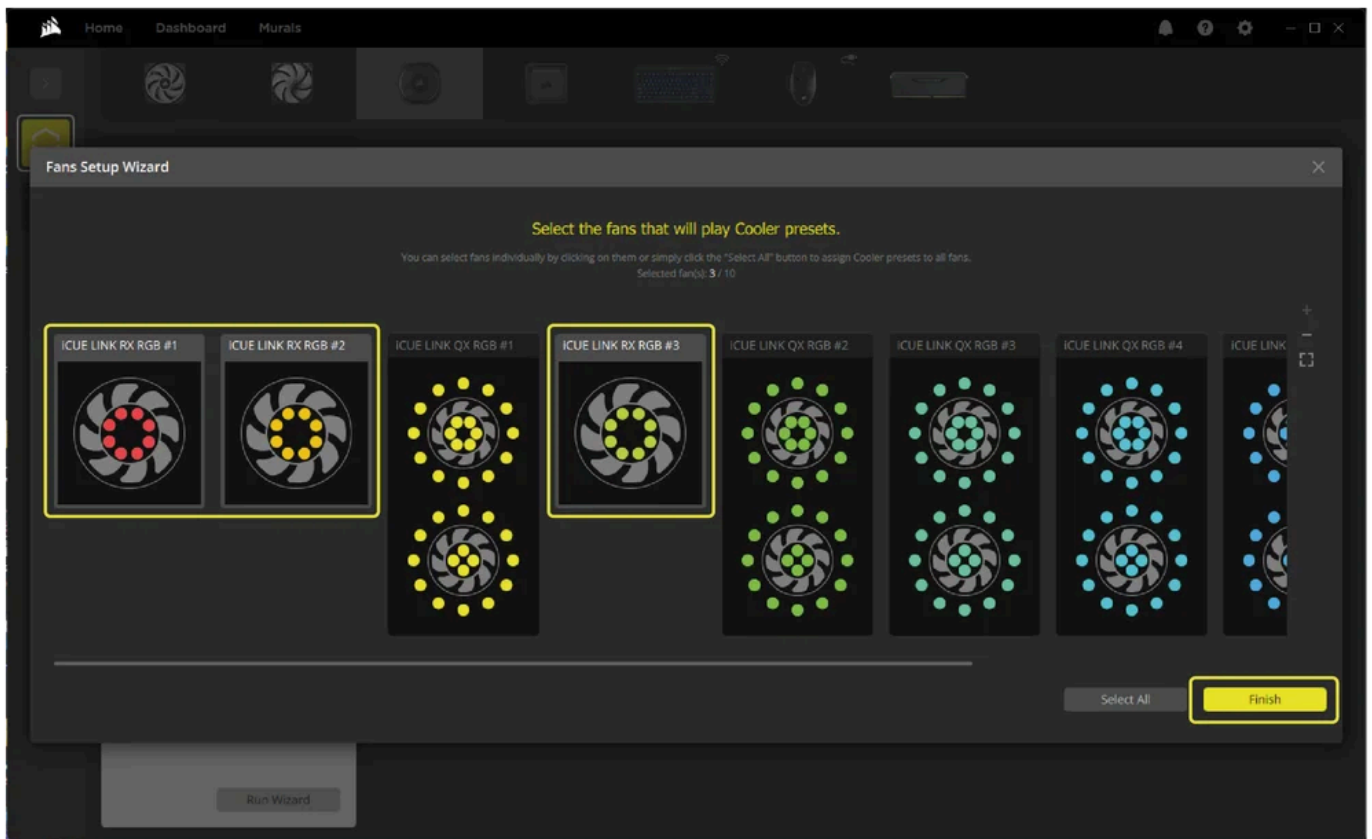




Identify which fan(s) are mounted on the radiator. iCUE will automatically assign the AIO-based fan curve for the selected fans.

- Select the fan(s) that are mounted on the radiator by clicking on the UI then click "finish".





Cooling Performance

Select your desired cooling presets for any other fans connected to the System Hub between Quiet, Balanced, Extreme, or create your own curve:

- Select either the iCUE LINK TITAN RX RGB or RX RGB from the navigation bar.
- Click "Cooling" to access the cooling performance page.
- Select the desired cooling preset for each device.
- Click the "+" icon under "Cooling Presets" to create a custom fan curve.



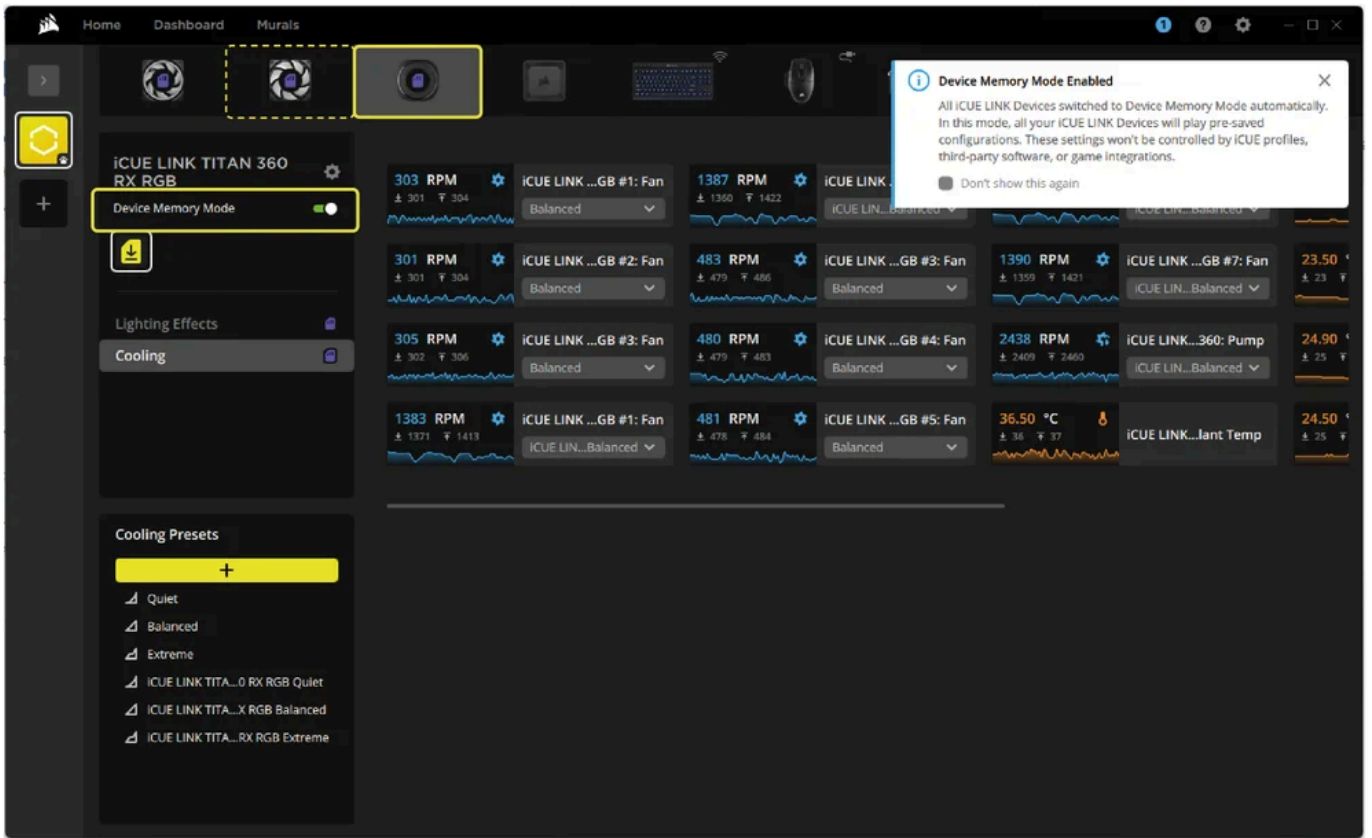


Device Memory Mode

Choose how your fan(s) and/or pump will perform when iCUE software is not running, usually during the computer startup phase:

- Select either the iCUE LINK TITAN RX RGB AIO or RX RGB from the navigation bar.
- Toggle the Device Memory Mode by clicking on the button.
- Once the desired setting is selected, click on the save icon.





5. ADDITIONAL SETUP

Visit our [CORSAIR LAB YouTube channel](#) and [Explorer page](#) for additional setup, configuration and tips:

[CORSAIR LAB YouTube channel](#)


[CORSAIR EXPLORER web page](#)


FAQ



Is it safe to use an alternative PCIe adapter cable to provide power to the System Hub?

+

What is CapSwap technology and how does it work with the iCUE LINK TITAN RX RGB CPU coolers? 


Do I need to connect a USB Type-C cable into the iCUE LINK TITAN RX RGB pump? 

How do I know the direction of the airflow of the fan? 

My cooler and fans are blinking red or not functioning. What do I do? 

In what orientation should I install my radiator? 

Can I reuse the pre-applied thermal paste on the cooler for re-installation? 

What should I do if I lost or broke a specific part or accessory from the iCUE LINK TITAN RX RGB CPU cooler? 

POWER RATING



System Hub Output rating: 12Vdc 7A (per port)

RX120 RGB Input rating: 12Vdc 0.66A

RX140 RGB Input rating: 12Vdc 0.7A

WARRANTY



All CORSAIR iCUE LINK coolers have a 6-year warranty.

LEGAL

©2024 CORSAIR MEMORY, Inc. All rights reserved. CORSAIR and the sails logo are registered trademarks of CORSAIR in the United States and/or other countries. All other trademarks are the property of their respective owners. Product may vary slightly from those pictured.

Get special offers, exclusive product news, and event info straight to your inbox.



SIGN UP



SHOP

New Products

- Special Offers
- Corsair.com Exclusives
- Where to buy
- Certified Refurbished
- Business Solutions

EXPLORE

- PC Builder
- CORSAIR Innovation
- Design Your Loop
- Best Gaming Accessories
- Intel 14th Generation Upgrades
- AMD AM5 Upgrades
- DDR5 Memory
- Ambassadors

CORSAIR

- About
- Investor Relations
- Supply Chain Disclosure
- Careers
- Social Impact
- Press Room
- Contact Us
- Explorer

SUPPORT

- Downloads
- Customer Support
- Warranty
- Shipping/RMA>Returns
- Terms of Sale



Copyright © 1996 - 2024 CORSAIR. All rights reserved.