

MODELL ULTIMATE6

DE MONTAGEANLEITUNG: LENKERTASCHE
GB ASSEMBLY INSTRUCTIONS: HANDLEBAR BAG
FR INSTRUCTIONS DE MONTAGE: SACOCHE POUR GUIDON
IT ISTRUZIONI DI MONTAGGIO: BORSA DA MANUBRIO
NL MONTAGE HANDLEIDING: STUURTAS
DK MONTERINGSVEJLEDNING: STYRTASKE

ES INSTRUCCIONES DE MONTAJE: BOLSA PARA MANILLAR
SE MONTERINGS ANVISNING: STYRSTÄNGS VÄSKA
NO MONTERINGS ANVISNING: STYREVESKE
FI ASENNUSOHJEET: TANKOLAUKKU
PL INSTRUKCJA MONTAŻU: TOREBKA NA KIEROWNICE
JP 組立方法: ハンドルバーバッグ



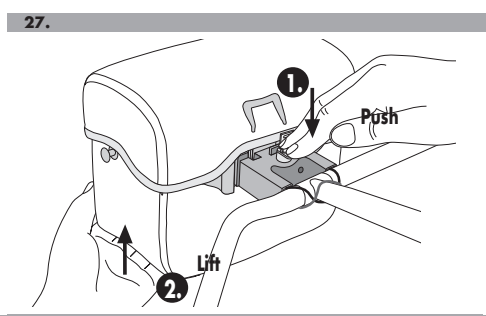
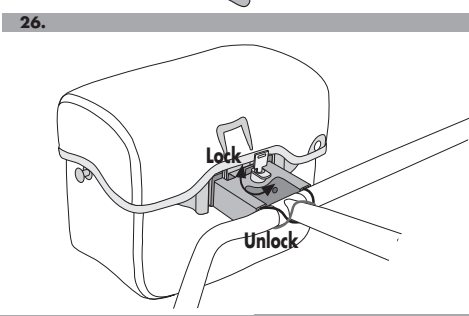
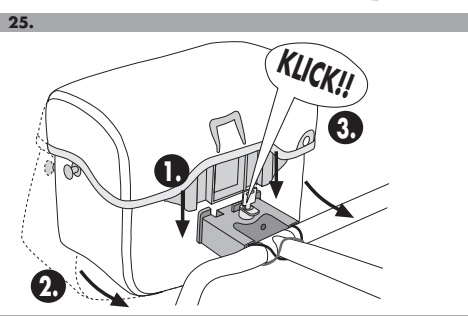
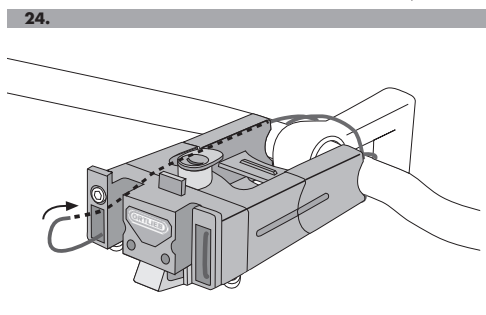
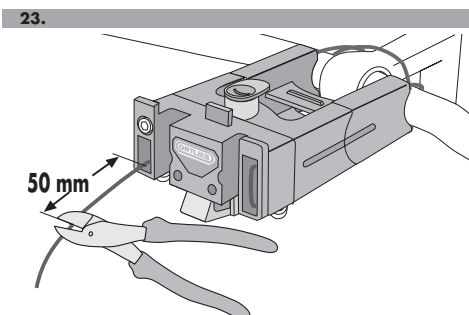
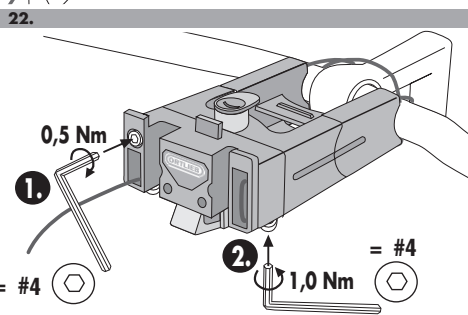
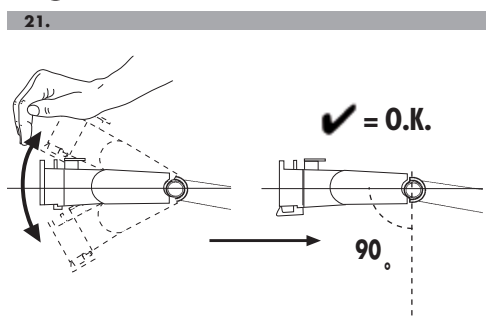
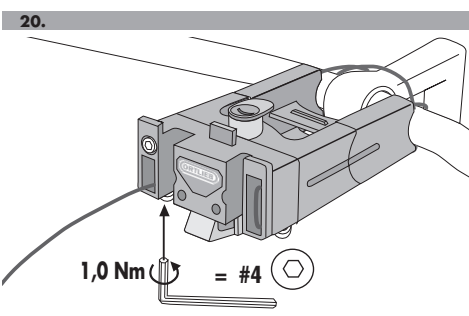
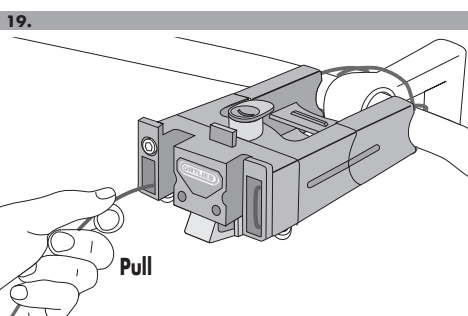
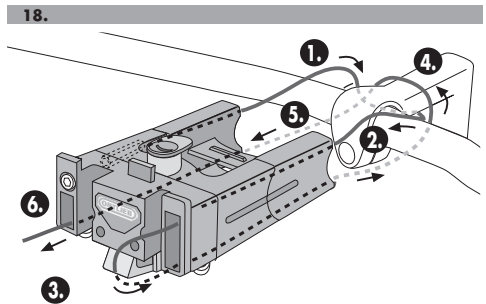
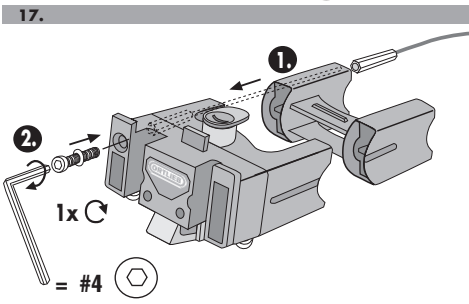
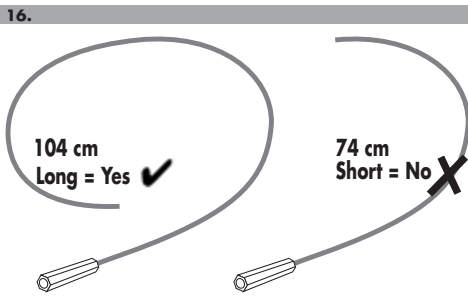
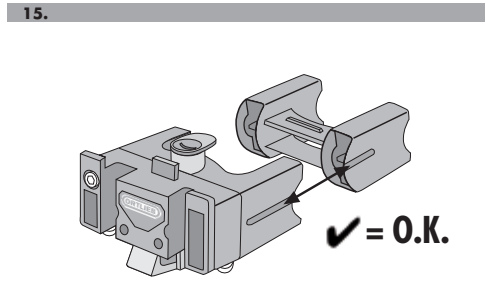
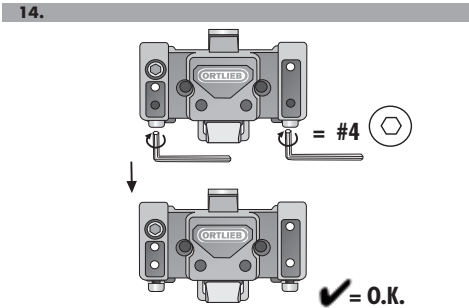
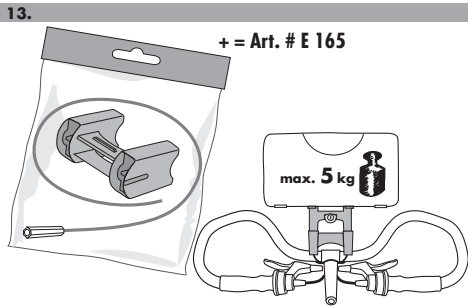
ULTIMATE6 PRO	incl.	incl.	= + Safe-it 5 - XL (Option)	= + Art. # F 1402 (Option)		= + Art. # F 94 (Option)
ULTIMATE6 PLUS	incl.	incl.	= + Safe-it 5 - XL (Option)	= + Art. # F 1402 (Option)	= + Art. # F 95 (Option)	= + Art. # F 94 (Option)
ULTIMATE6 Classic	incl.	= + Art. # F 3903(M) Option # F 3904(L)	= + Safe-it 5 - XL (Option)	= + Art. # F 1402 (Option)	= + Art. # F 95 (Option)	= + Art. # F 94 (Option)
ULTIMATE6 Compact	incl.					

- 22 - 31,8 mm (Small to oversized) ✓ = O.K.
- Carbon
- ✓ = O.K.
- 1x C

✓ = O.K.
- ✓ = O.K.
- Pull
- 1,0 Nm = #4
- 90°

✓ = O.K.
- 0,5 Nm = #4

1,0 Nm = #4
- 50 mm
-
- max. 5 kg



OPTION PRO, PLUS, CLASSIC

