



DoubleFlow

INSTRUCTION MANUAL



Adress: Crooswijksestraat 104,
3034 AP Rotterdam, The Netherlands

Email: info@nutrea.nl

THE DEVICE IS INTENDED FOR ONE USER ONLY

Introduction

The portable electric breast pump (EasyFlow) from Nutrea is designed to be used anywhere. The pump is small and lightweight, allowing you to tuck it into your bra and easily take it with you wherever you go.



Hands-free

All-in-one, without tubes or dangling bottles



No more pumping schedule

Pump anytime and anywhere, wherever and whenever you want and whenever you want



Adjustable suction power

Adjust the suction power to your comfort



Adjustable speed

Modify the speed for optimal milk production



BPA-free

Made from BPA-free material and dishwasher safe

Do you have questions or want to share feedback with us? We would love to hear from you, please send us an email at info@nutrea.nl

Table of Contents

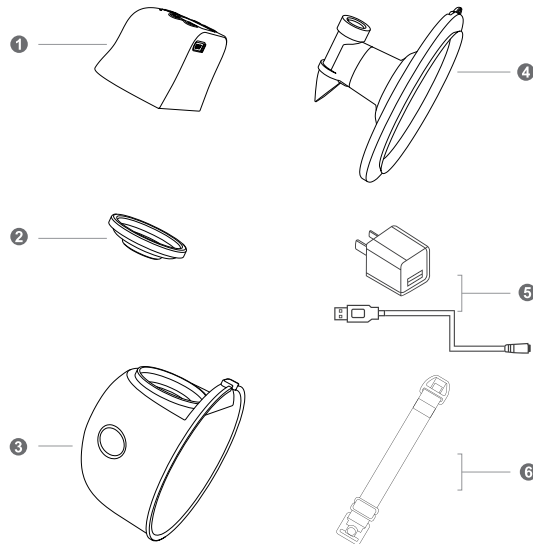
Read before use	1
The different parts	2
Assembling the breast pump	3
Explanation of the buttons	4
How to use the breast pump?	5
Problem solving	8
Disinfection methods	9
Warranty provision	10
Product specifications	11

The product images shown are for illustration purposes only and may not accurately represent the product

Read before use

- Turn off the breast pump before removing it from the breast.
- Do not wash the control module in water or other liquids.
- The parts should be dry before being stored to prevent mold formation.
- Contact your lactation consultant if you are expressing too little milk, and stop pumping if there is no milk flow and you don't experience let-down reflex.
- Contact your lactation consultant if pumping is painful.
- Do not use the breast pump during pregnancy.
- Do not use aggressive and/or abrasive cleaning agents as they can damage the parts.
- Store in a cool, dry place and avoid direct sunlight.
- Replace parts or the entire product if they show signs of wear or damage
- Do not use a cleaning brush or scraper as they can damage the parts and shorten their lifespan.
- Use the correct size breast shield or a breast shield reducer for comfortable pumping.
- Keep out of reach of children.
- Use only the provided adapter to prevent damage to the control module.
- Thoroughly wash your hands before using the breast pump and dry all parts well to prevent water damage to the control module.
- Do not use the breast pump if you suspect that the packaging is damaged or has been previously opened, and contact customer service immediately.

The different parts



1 Control module

2 Silicone diaphragm

3 Bottle (240 ml)

4 Breastshield

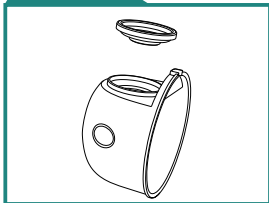
5 Adapter with USB cable

6 Bra extender

Assembling the breast pump

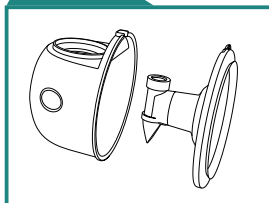
- !** Thoroughly wash your hands before starting the assembly of the pump. Ensure that all washable parts have been disinfected before use, as described in this manual. And make sure that all parts are dry before assembling them.

STEP 1



Place the silicone diaphragm on the bottle and press firmly.

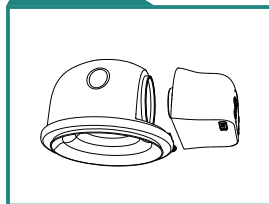
STEP 2



Insert the breast shield into the bottle. Ensure that the valve at the back of the bottle is securely in place before connecting the rim of the breast shield to the bottle.

- !** When the breast shield and bottle are properly connected, there is a small opening at the top through which you can pour the milk.

STEP 3



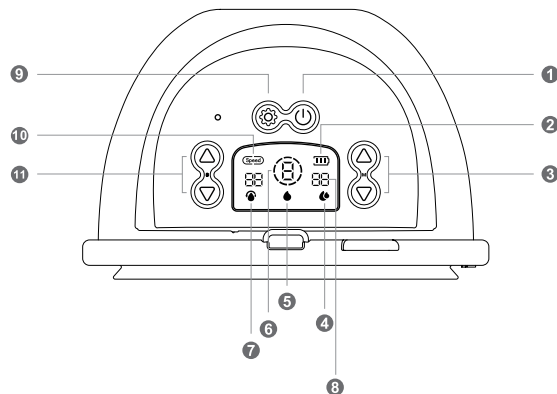
Attach the control module to the bottle and press the control module firmly.

STEP 4



The assembly is complete and the breast pump is ready for use.

Explanation of the buttons



- | | | |
|------------------------|-------------------------|-----------------|
| ① Power button | ⑤ Massage mode | ⑨ Mode button |
| ② Battery percentage | ⑥ Suction power display | ⑩ Speed display |
| ③ Adjust suction power | ⑦ 2-in-1 mode | ⑪ Adjust speed |
| ④ Pumping mode | ⑧ Time indication | |

How to use the breast pump?

Instructions before use:

Make sure all washable parts of the breast pump are disinfected and assembled according to the instructions in this manual. Wash your hands before use and briefly massage the breast. Then sit upright and align the center of the silicone breast shield with your nipple. Press the breast shield firmly against the breast to create a good vacuum.

Power On/Off button

Press this button to activate the control module. The control module will automatically turn off after 30 minutes.

Adjusting suction intensity

With these two buttons on the right side of the display, you can adjust the intensity of the suction. Each mode has 9 settings for suction intensity. You can customize the intensity that feels most comfortable and efficient for you. The intensity is indicated in the middle of the display with a number from 1 to 9.

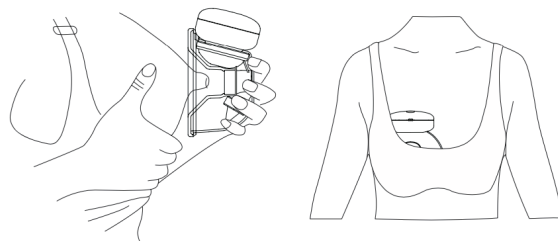
Mode button

There are three different operating modes: massage mode, pump mode, and 2-in-1 mode. When activating the control module, the default working mode is intensity 1 of the massage mode. Press the button to switch to the pump mode and then to the 2-in-1 mode. The massage mode is a faster pumping rhythm to stimulate letdown. The pump mode is a long and deep pumping rhythm to simulate a baby's feeding. The 2-in-1 mode consists of two short and one deep pumping rhythm. This mode is used when the breast is almost empty, especially when the milk flow is slow.

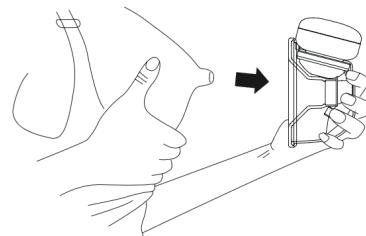
Adjusting speed

With these two buttons on the left side of the display, you can adjust the speed or interval of the pumping rhythm. The speed can only be adjusted in the pump mode and the 2-in-1 mode. The pump mode has 9 different speeds, and the 2-in-1 mode has 7 different speeds. The speed is indicated by numbers on the display under 'Speed'. You can set the speed that feels most comfortable and efficient for you.

Placement in the bra



Turn off the pump before removing it from the breast.



Pump positions

✓ Ideal



Upright

✓ Good



Slightly bent over

✓ Fine



Bent over

✗ May leak



Sit back

✗ Does not work



back or side position

Problem solving

⚠ There is no suction or very little suction

- ① Check if the breast shield and the bottle are properly connected to each other. Press firmly on the edge everywhere.
- ② Check if the valve of the breast shield is properly connected to the bottle.
- ③ Ensure that the control module, silicone diaphragm, and bottle are aligned and properly connected to each other.
- ④ Check the components for any damage or wear and replace if necessary.

⚠ If you experience pain while pumping, contact your lactation consultant or nurse immediately.

Sit upright during pumping. Do not lean forward or lie on your side. Refer to the breast pump positions in the previous chapter for more information.

Disinfection methods

Consult the following methods for disinfecting the washable parts

Removal of milk residues




Removal of milk residues can be done in one of the following ways:

- 1 Rinse with clear, cold water
- 2 Wash with warm water
- 3 Place on the top rack of the dishwasher

Sterilization

Sterilization of the washable parts can be done in one of the following ways:

- 1 Boiling in boiling water for approximately 5 minutes
- 2 Sterilization in a microwave or steam device. We recommend not using this method for more than 5 minutes.

-  **The control module, adapter, and USB cable cannot be disinfected or cleaned with water.**
-  **Some microwave or steam sterilizers can reach high temperatures that may damage plastic parts.**
-  **Make sure to thoroughly dry all parts before use.**

Warranty provision

We offer a 12-month warranty on the pump mechanism (control module) and a 90-day warranty on the washable parts from the original date of purchase. This warranty is provided free of charge and is independent of any rights granted under consumer laws or regulations in the country of purchase. It does not exclude, limit, or affect consumer rights or legal claims arising from national laws on the sale of consumer products.

The warranty does not cover normal wear and tear or damage caused by use, physical or natural destruction, accidents, misuse, neglect, or other external causes. Any attempt to disassemble the pump mechanism (control module) invalidates this warranty.

In the event that Nutrea decides to replace the product or parts, the duration of this warranty is not extended for the replacement product.

When used by more than one person, health hazards may arise, and the warranty is void.

Please keep your proof of purchase in case you need to contact customer service.

Product Specifications

Brand:	Nutrea
Model:	EasyFlow
EAN number:	8720648346132
Bottle capacity:	240 ml
Average charging time:	120 minutes
Vacuum range:	40 to 280 mmHg
Power supply:	5V DC
Battery type:	Lithium Polymeer
Power:	1100 mAh
Dimensions:	139*70*87 mm
Weight:	250 grams